



# LA6541D

## 4-channel Bridge Driver for Compact Discs

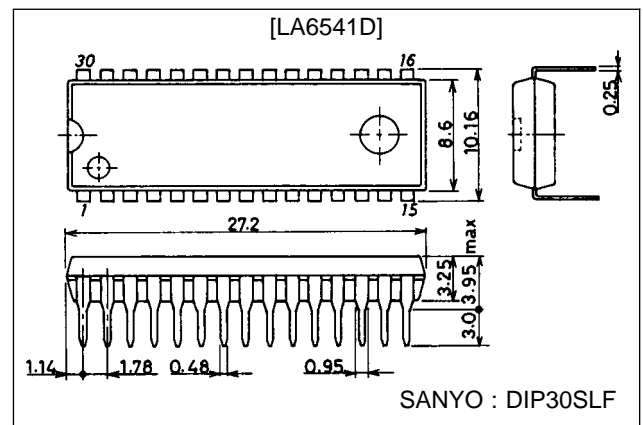
### Functions and Features

- 4-channel bridge (BTL) power amplifier.
- $I_O$  max. 700 mA.
- With mute circuit  
(Affects all amplifier outputs, Amp 1 to Amp 8).  
(When the mute voltage is low, the outputs turn off;  
when the mute voltage is high, the outputs turn on).
- 5.0 V regulator built in (Uses external PNP transistor).
- Reset circuit built in (The reset output delay time can be adjusted through an external capacitor).

### Package Dimensions

unit : mm

#### 3196-DIP30SLF



### Specifications

#### Maximum Ratings at $T_a = 25^\circ\text{C}$

Parameter	Symbol	Conditions	Ratings	Unit
Maximum supply voltage	$V_{CC}$ max		14	V
Maximum input voltage	$V_{IN}$		13	V
Mute pin voltage	$V_{Mute}$		13	V
Allowable power dissipation	$P_d$ max	When using standard board (material: glass epoxy)	2.5	W
Operating temperature	$T_{opr}$		-20 to +75	$^\circ\text{C}$
Storage temperature	$T_{stg}$		-55 to +150	$^\circ\text{C}$

#### Recommended Operating Conditions at $T_a = 25^\circ\text{C}$

Parameter	Symbol	Conditions	Ratings	Unit
Operating voltage	$V_{CC}$		5.6 to 13	V
Reset output source current	$I_{ORH}$		0 to 200	$\mu\text{A}$
Reset output sink current	$I_{ORL}$		0 to 2	mA

■ Any and all SANYO products described or contained herein do not have specifications that can handle applications that require extremely high levels of reliability, such as life-support systems, aircraft's control systems, or other applications whose failure can be reasonably expected to result in serious physical and/or material damage. Consult with your SANYO representative nearest you before using any SANYO products described or contained herein in such applications.

■ SANYO assumes no responsibility for equipment failures that result from using products at values that exceed, even momentarily, rated values (such as maximum ratings, operating condition ranges, or other parameters) listed in products specifications of any and all SANYO products described or contained herein.

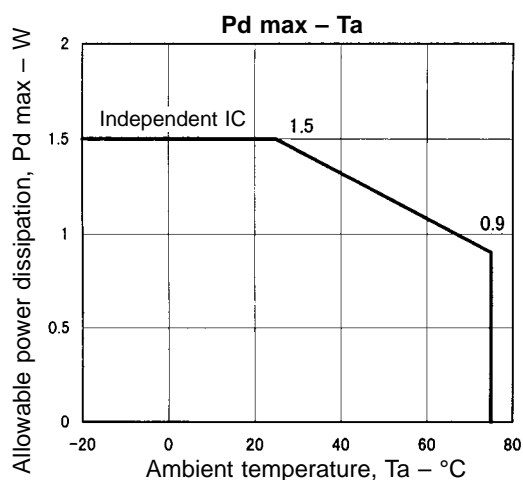
## LA6541D

### Electrical Characteristics at $T_a = 25^\circ\text{C}$ , $V_{CC} = 8.0\text{ V}$ , $V_{REF} = 4\text{ V}$

Parameter	Symbol	Conditions	min	typ	max	Unit
No-load current drain	$I_{CC1}$	When all amplifier outputs are on (Mute high)		20	40	mA
	$I_{CC2}$	When all amplifier outputs are off (Mute low)		15	35	mA
Output offset voltage	$V_{OF1}$	Amplifier 1 to 2 ( $V_{O1}$ to $V_{O2}$ ), Amplifier 3 to 4 ( $V_{O3}$ to $V_{O4}$ )	-50		50	mV
	$V_{OF2}$	Amplifier 5 to 6 ( $V_{O5}$ to $V_{O6}$ ), Amplifier 7 to 8 ( $V_{O7}$ to $V_{O8}$ )	-50		50	mV
Buffer amplifier input voltage range	$V_{BIN}$		1.5		$V_{CC}-1.5$	V
Input voltage range	$V_{IN}$		1.0		$V_{CC}-1.5$	V
Output source voltage	$V_{O1}$	Note 1, when $R_L = 8.0\ \Omega$	5.0	5.6		V
Output sink voltage	$V_{O2}$	Note 2, when $R_L = 8.0\ \Omega$		1.8	2.4	V
Closed-circuit voltage gain	$V_G$	Between bridge amplifiers		9		dB
Slew rate	SR			0.15		V/ $\mu\text{s}$
Mute on voltage	$V_{Mute}$	Note 3		1.2		V
[Power Supply] (with 2SK632K connected externally)						
Output voltage	$V_{OUT1}$	$I_O = 200\text{ mA}$	4.75	5.0	5.25	V
Line regulation	$\Delta V_{OLN1}$	$5.6 \leq V_{IN1} \leq 12\text{ V}$		20	100	mV
Load regulation	$\Delta V_{OLD1}$	$5\text{ mA} \leq I_O \leq 200\text{ mA}$		50	150	mV
[Reset]						
High reset output voltage	$V_{ORH}$	$I_{ORH} = 200\ \mu\text{A}$ , Cd pin open	4.73	4.98	5.23	V
Low reset output voltage	$V_{ORL}$	$I_{SRL} = 2\text{ mA}$ , Cd is shorted to GND		100	200	mV
Reset threshold voltage	$V_{RT}$	Note 4		4.3		V
Reset hysteresis voltage	$V_{hys}$	Note 5	40	100	200	mV
Reset output delay time	td	Cd = 0.1 $\mu\text{F}$		10		ms

Notes:

- Source voltage to ground when an 8  $\Omega$  load is connected between bridge amplifier outputs.
- Sink voltage to ground when an 8  $\Omega$  load is connected between bridge amplifier outputs.
- When the mute signal is high, all amplifier outputs turn on, and when low, all amplifier outputs turn off. When the mute signal is low, amplifier output is undefined.
- 5 V supply voltage when the reset output goes low.
- Potential difference from the 5 V supply voltage when the reset output goes low and when it goes high.



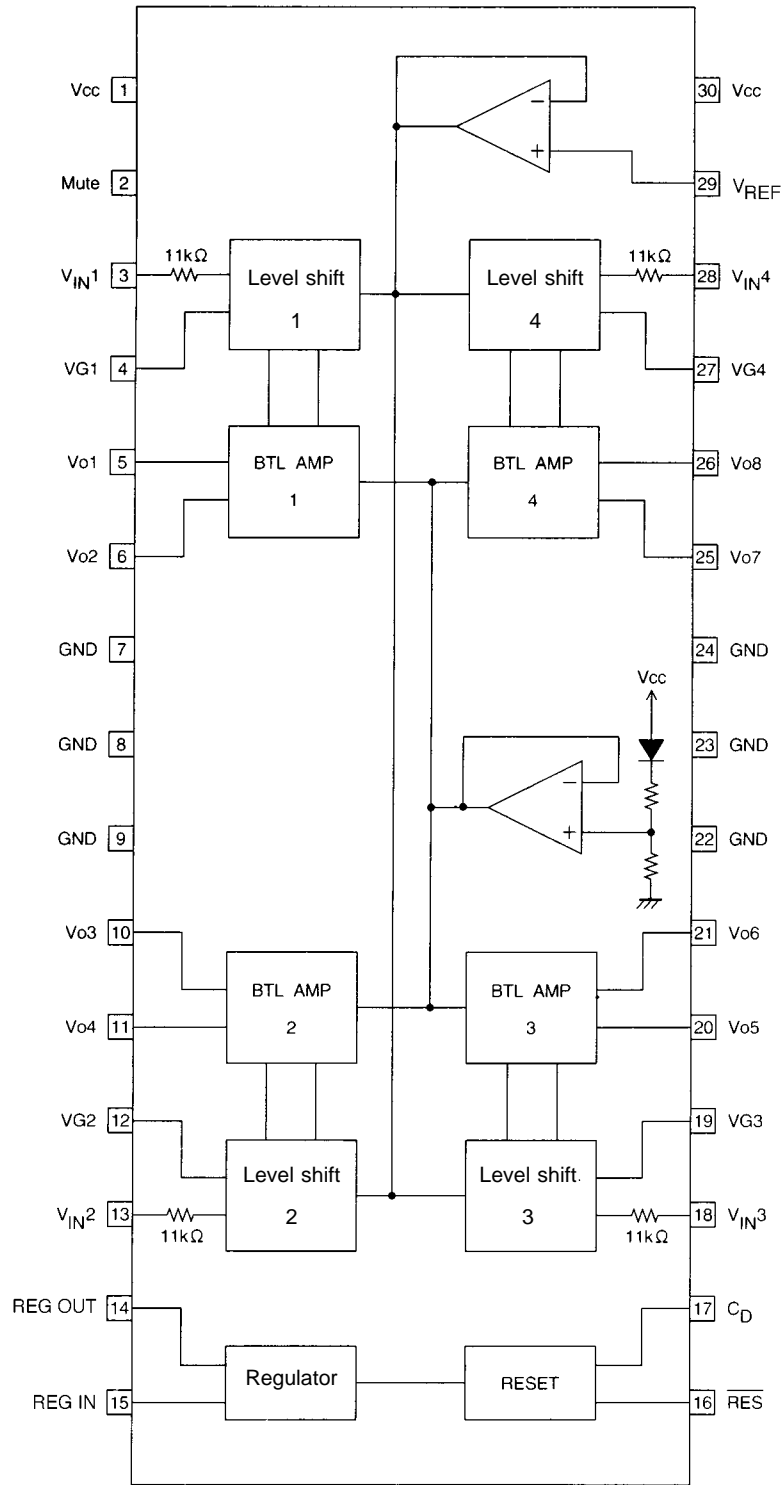
## LA6541D

### Pin Functions

Pin No.	Pin Name	Description (Function)
1	V <sub>CC</sub>	Power supply (shorted with pin 30)
2	Mute	ON/OFF control for all BTL AMP outputs
3	V <sub>IN1</sub>	BTL AMP 1 input
4	VG1	BTL AMP 1 input (for gain control)
5	V <sub>O1</sub>	BTL AMP 1 output (non-inverting side)
6	V <sub>O2</sub>	BTL AMP 1 output (inverting side)
7	GND	GND (minimum electric potential)
8	GND	GND (minimum electric potential)
9	GND	GND (minimum electric potential)
10	V <sub>O3</sub>	BTL AMP 2 output (inverting side)
11	V <sub>O4</sub>	BTL AMP 2 output (non-inverting side)
12	VG2	BTL AMP 2 input (for gain control)
13	V <sub>IN2</sub>	BTL AMP 2 input
14	REG OUT	Connection for collector of external transistor (PNP); 5 V supply output
15	REG IN	Connection for base of external transistor (PNP)
16	$\overline{\text{RES}}$	Reset output
17	C <sub>D</sub>	Reset output delay time setting (with capacitor)
18	V <sub>IN3</sub>	BTL AMP 3 input
19	VG3	BTL AMP 3 input (for gain control)
20	V <sub>O5</sub>	BTL AMP 3 output (non-inverting side)
21	V <sub>O6</sub>	BTL AMP 3 output (inverting side)
22	GND	GND (minimum electric potential)
23	GND	GND (minimum electric potential)
24	GND	GND (minimum electric potential)
25	V <sub>O7</sub>	BTL AMP 4 output (inverting side)
26	V <sub>O8</sub>	BTL AMP 4 output (non-inverting side)
27	VG4	BTL AMP 4 input (for gain control)
28	V <sub>IN4</sub>	BTL AMP 4 input
29	V <sub>REF</sub>	Reference voltage input for level shift circuit
30	V <sub>CC</sub>	Power supply (shorted with pin 1)

# LA6541D

## Pin Assignment (Block Diagram)

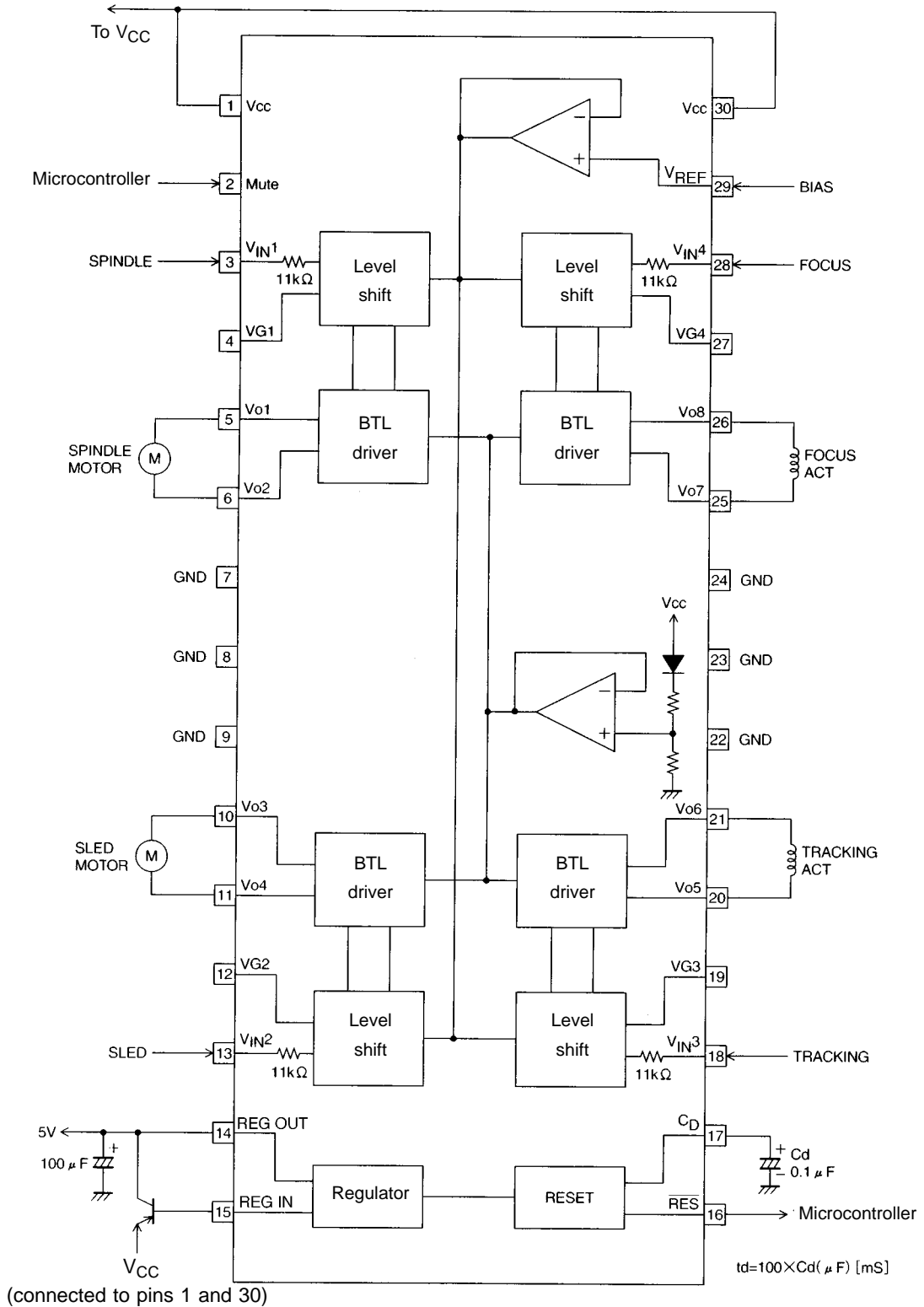


A06422

Top view

# LA6541D

## Sample Application Circuit



A06423

Note: Use a delay capacitor (Cd) whose capacitance does not change much according to the temperature.

# LA6541D

## Pin Functions

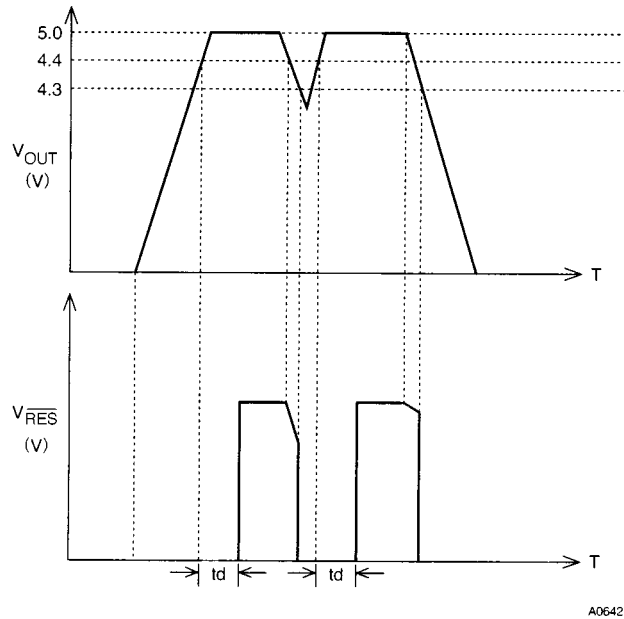
Pin	Name	Pin No.	Equivalent Circuit	Description
Input	V <sub>IN1</sub> V <sub>IN2</sub> V <sub>IN3</sub> V <sub>IN4</sub> VG1 VG2 VG3 VG4	3 13 18 28 4 12 19 27		Input pins
Output	V <sub>O1</sub> , V <sub>O2</sub> V <sub>O3</sub> , V <sub>O4</sub> V <sub>O5</sub> , V <sub>O6</sub> V <sub>O7</sub> , V <sub>O8</sub>	5, 6 10, 11 20, 21 25, 26		Output pins
Mute	Mute	2		Output ON/OFF

## Truth Table

Input	MUTE	CH1		CH2		CH3		CH4	
		V <sub>O1</sub> (Amp1)	V <sub>O2</sub> (Amp2)	V <sub>O3</sub> (Amp3)	V <sub>O4</sub> (Amp4)	V <sub>O5</sub> (Amp5)	V <sub>O6</sub> (Amp6)	V <sub>O7</sub> (Amp7)	V <sub>O8</sub> (Amp8)
H	H	H	L	L	H	H	L	L	H
	L	—	—	—	—	—	—	—	—
L	H	L	H	H	L	L	H	H	L
	L	—	—	—	—	—	—	—	—

\* The “—” symbol means “undefined.”

## Reset Operation



- Specifications of any and all SANYO products described or contained herein stipulate the performance, characteristics, and functions of the described products in the independent state, and are not guarantees of the performance, characteristics, and functions of the described products as mounted in the customer's products or equipment. To verify symptoms and states that cannot be evaluated in an independent device, the customer should always evaluate and test devices mounted in the customer's products or equipment.
- SANYO Electric Co., Ltd. strives to supply high-quality high-reliability products. However, any and all semiconductor products fail with some probability. It is possible that these probabilistic failures could give rise to accidents or events that could endanger human lives, that could give rise to smoke or fire, or that could cause damage to other property. When designing equipment, adopt safety measures so that these kinds of accidents or events cannot occur. Such measures include but are not limited to protective circuits and error prevention circuits for safe design, redundant design, and structural design.
- In the event that any or all SANYO products (including technical data, services) described or contained herein are controlled under any of applicable local export control laws and regulations, such products must not be exported without obtaining the export license from the authorities concerned in accordance with the above law.
- No part of this publication may be reproduced or transmitted in any form or by any means, electronic or mechanical, including photocopying and recording, or any information storage or retrieval system, or otherwise, without the prior written permission of SANYO Electric Co., Ltd.
- Any and all information described or contained herein are subject to change without notice due to product/technology improvement, etc. When designing equipment, refer to the "Delivery Specification" for the SANYO product that you intend to use.
- Information (including circuit diagrams and circuit parameters) herein is for example only; it is not guaranteed for volume production. SANYO believes information herein is accurate and reliable, but no guarantees are made or implied regarding its use or any infringements of intellectual property rights or other rights of third parties.

This catalog provides information as of December, 1996. Specifications and information herein are subject to change without notice.

This datasheet has been download from:

[www.datasheetcatalog.com](http://www.datasheetcatalog.com)

Datasheets for electronics components.