

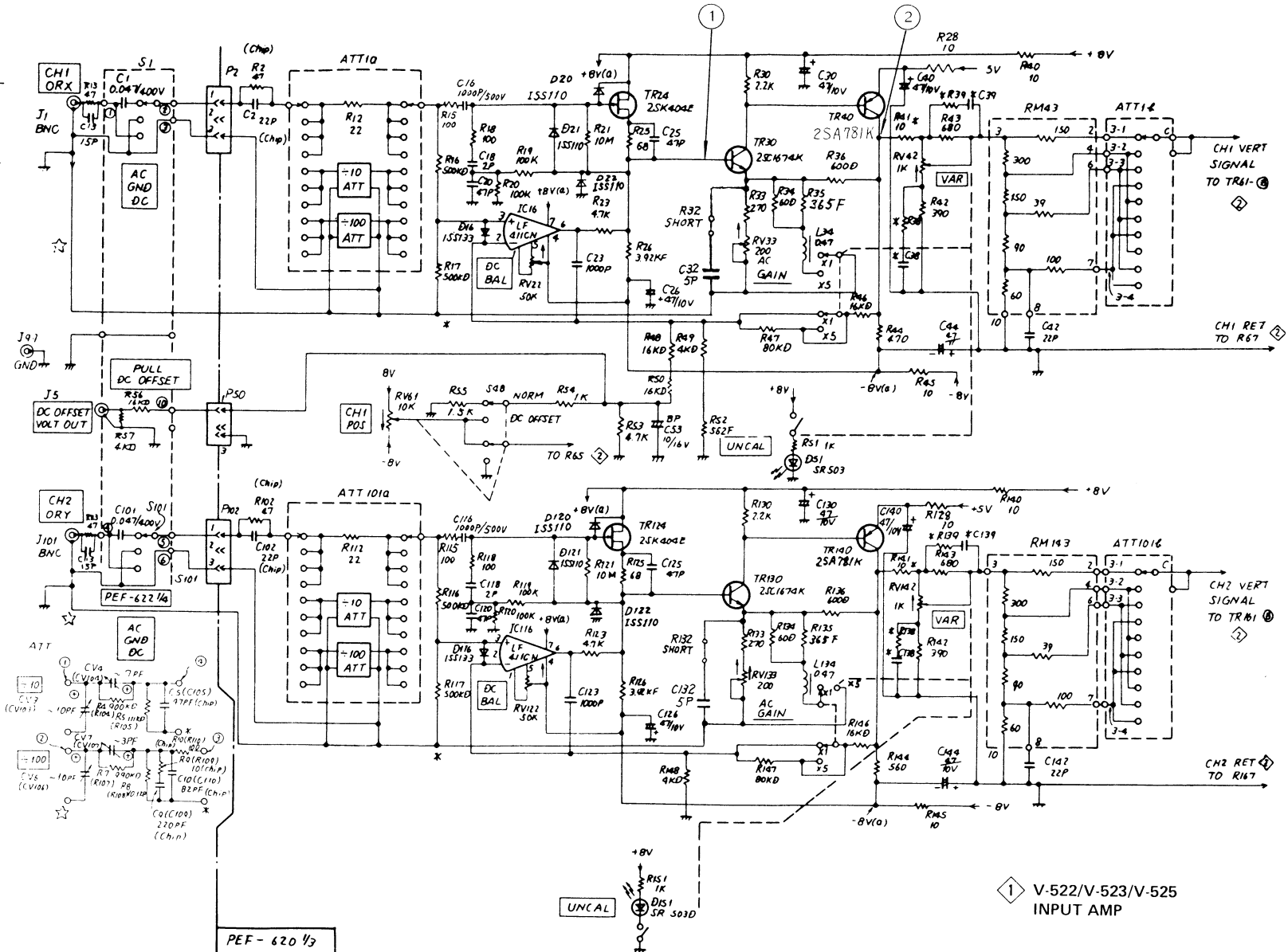
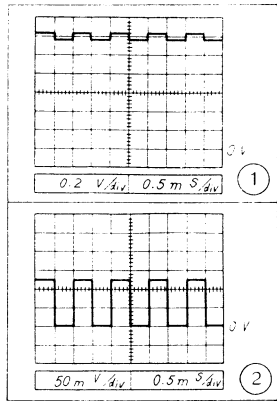
10. SCHEMATIC DIAGRAMS

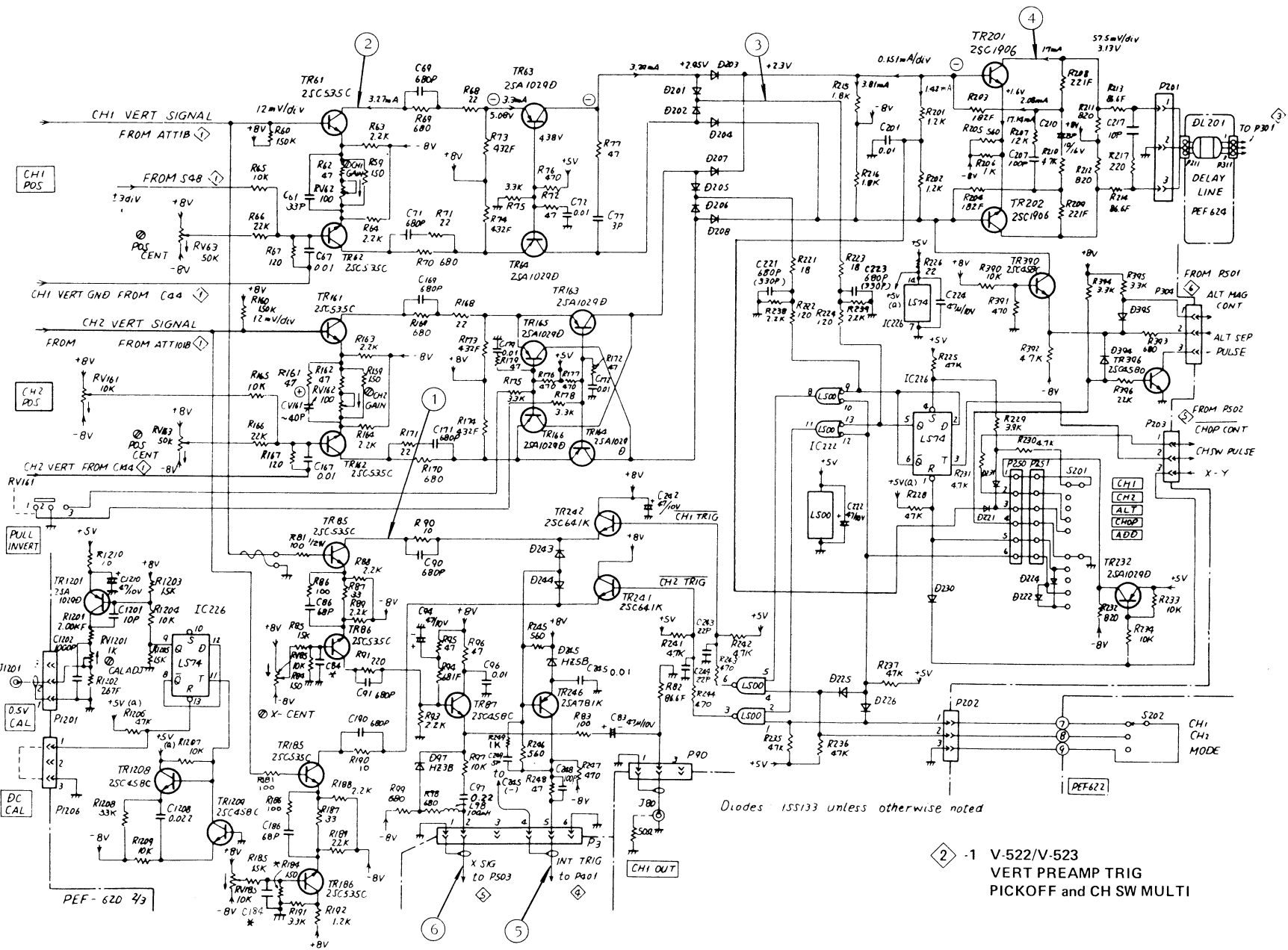
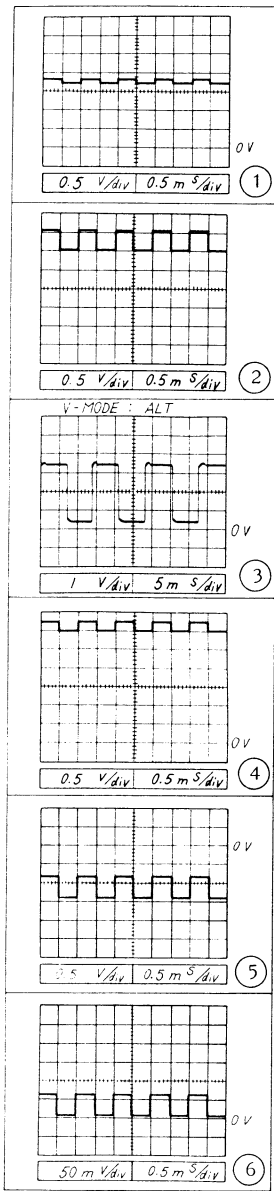
Note

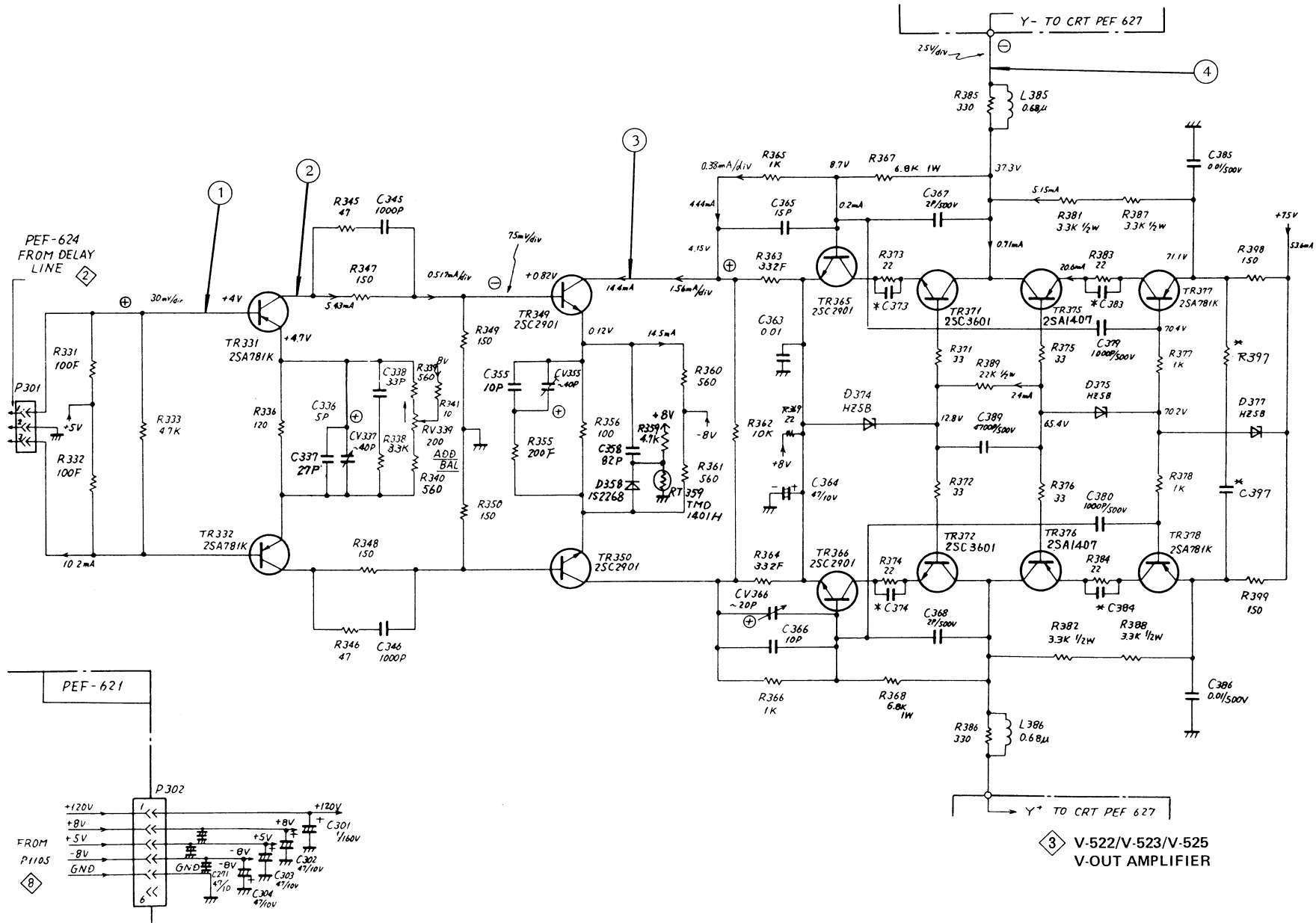
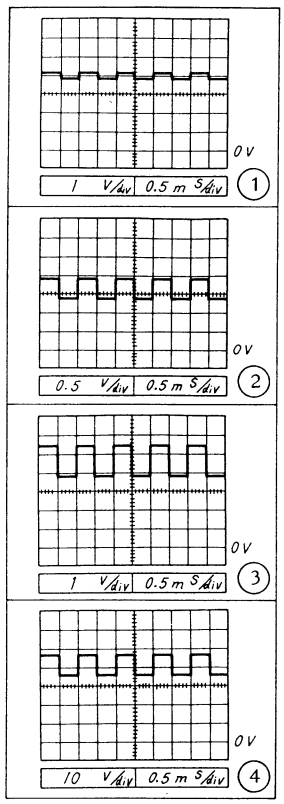
1. This basic circuit diagram is subject to change without notice.
2. All resistor values in ohm: 1/4W and all capacitor values in microfarad unless indicated.
3. Factory selected values.

DC VOLTAGE MEASUREMENT CONDITIONS

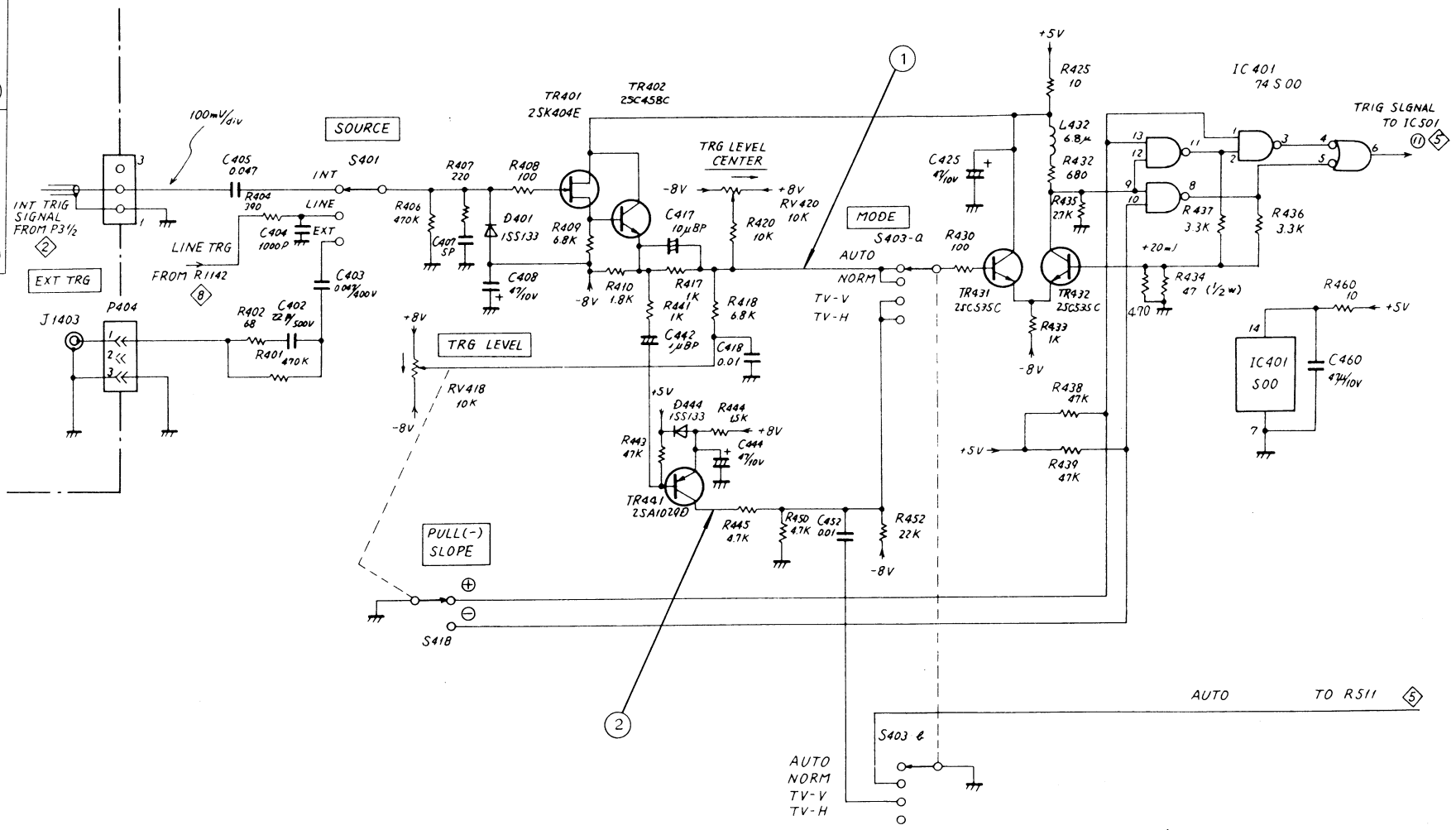
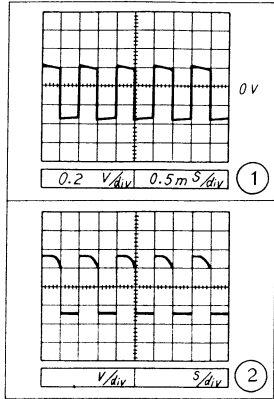
TRIG LEVEL : CENTER
 AC-GND-DC : DC
 VOLTS/DIV : 10 mV
 INPUT : CHI
 TRIG MODE : AUTO
 TRIG SOURCE : INT
 INT TRIG : CHI
 SWEEP TIME : 0.5 ms
 PROBE : 10:1



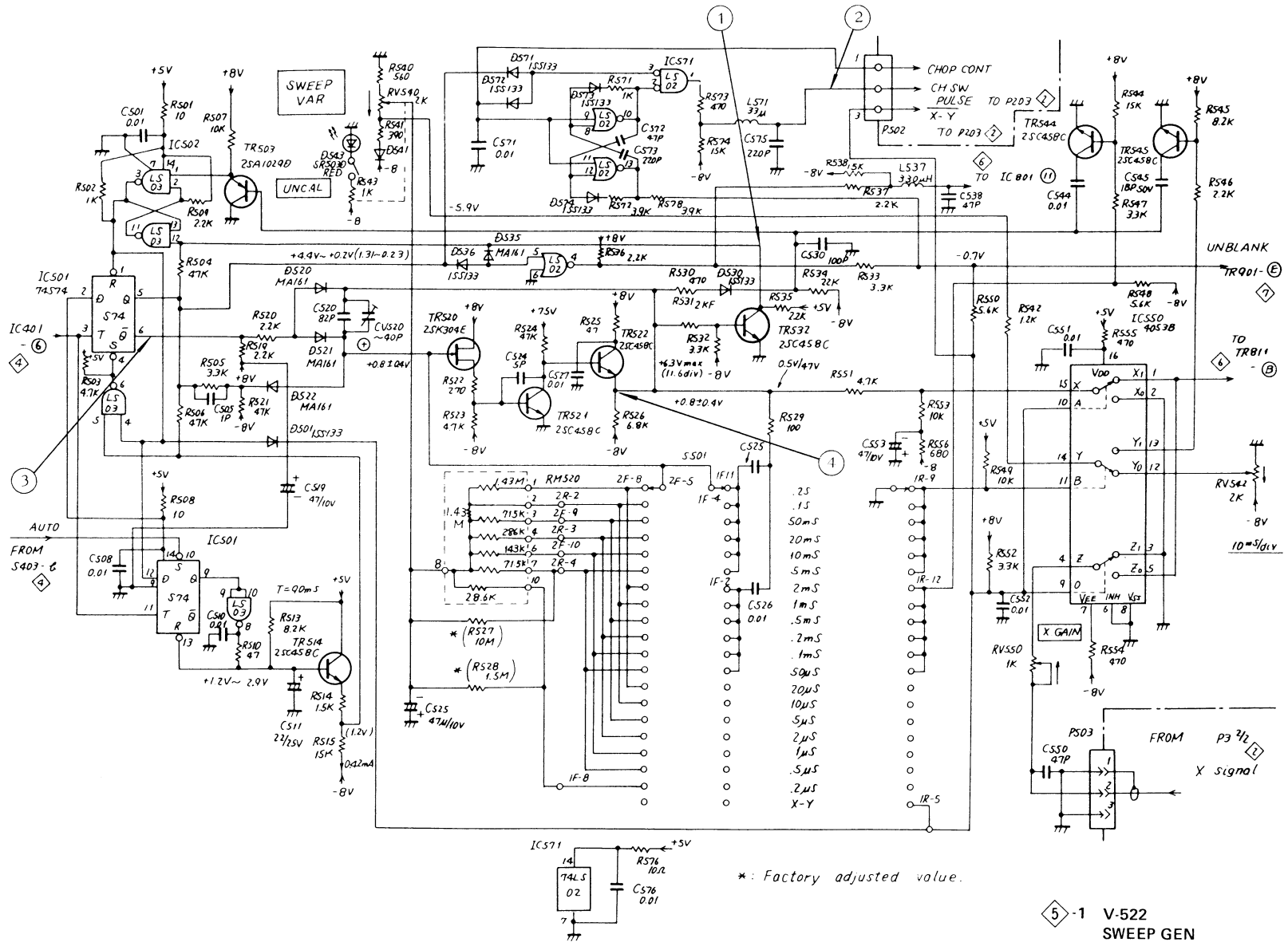
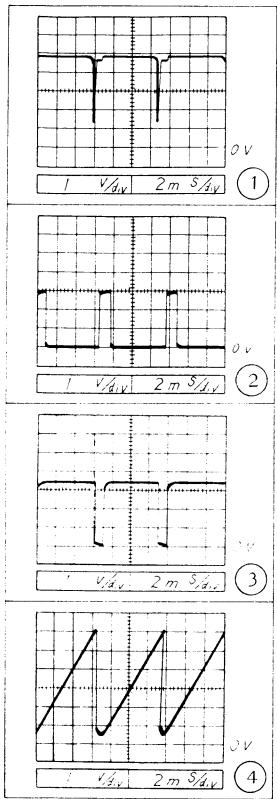




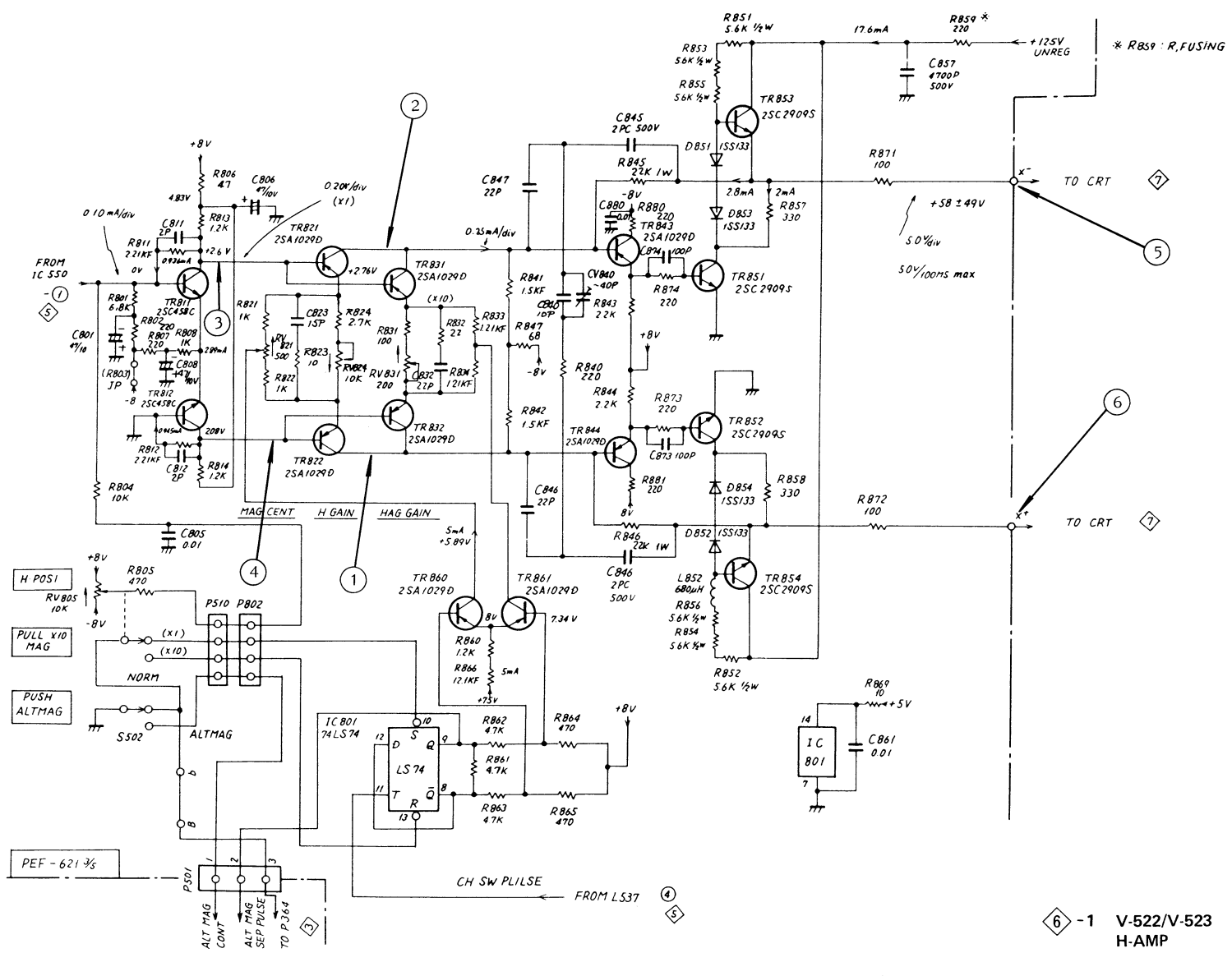
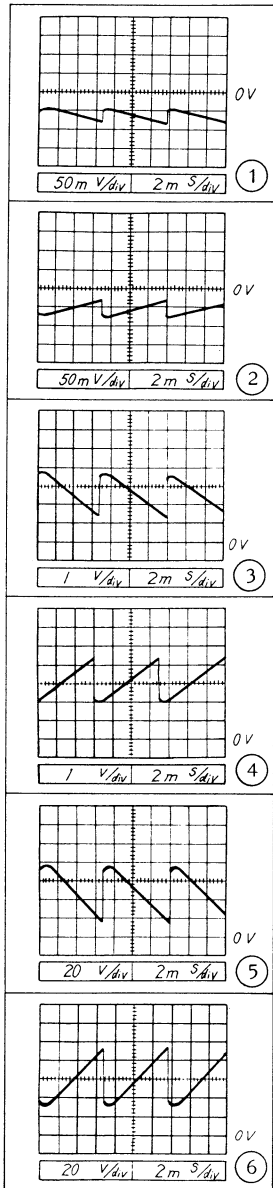
3 V-522/V-523/V-525 V-OUT AMPLIFIER



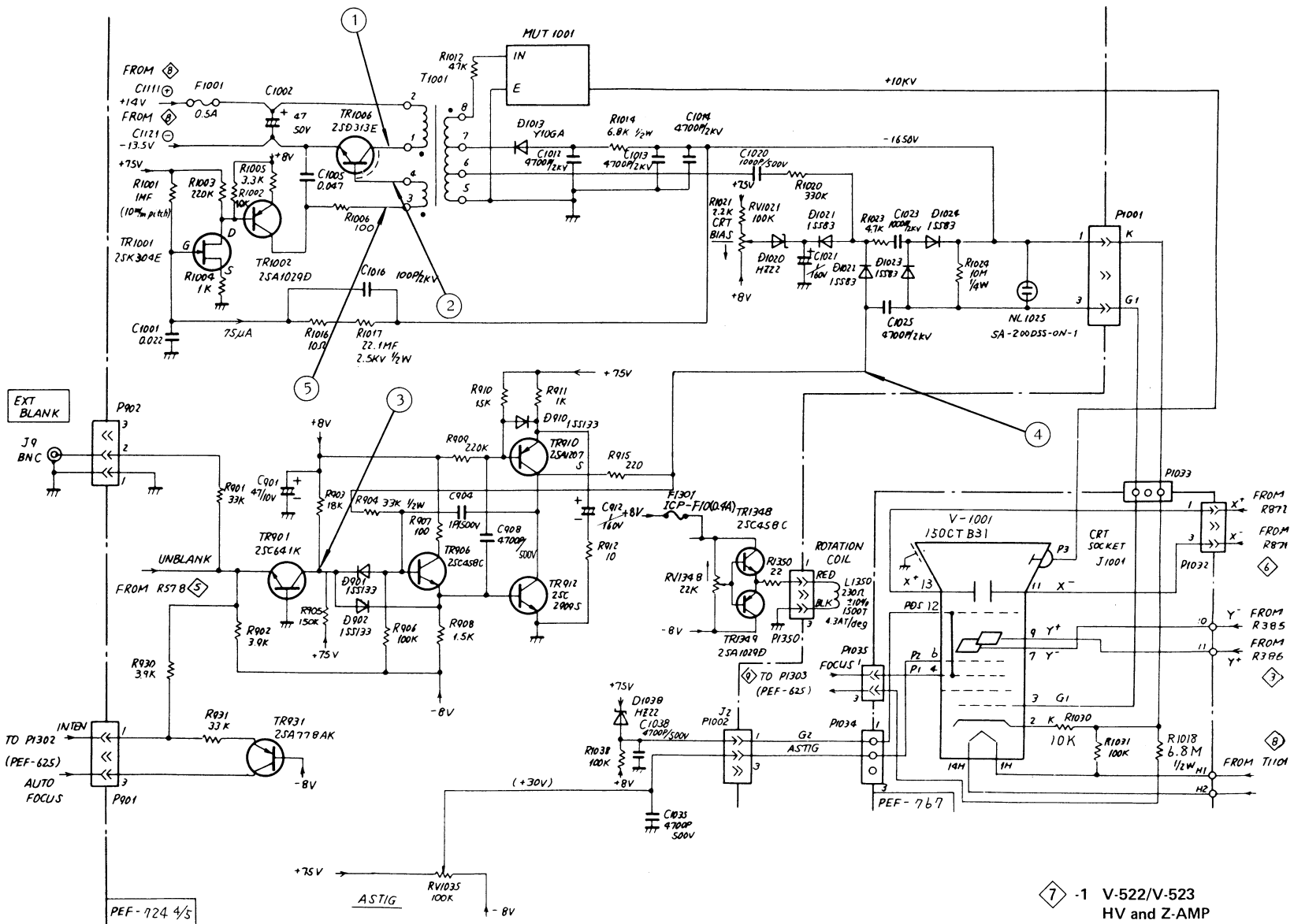
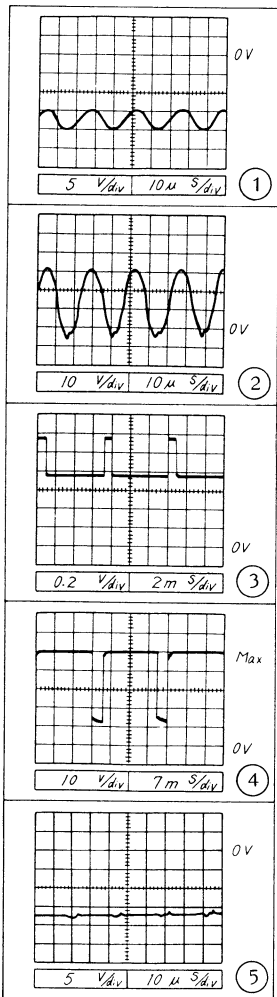
4 V-522/V-523/V-525 TRIG GEN



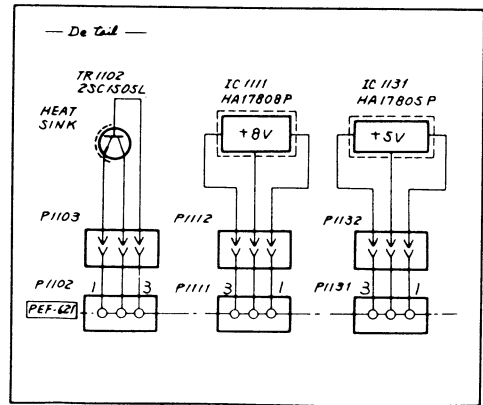
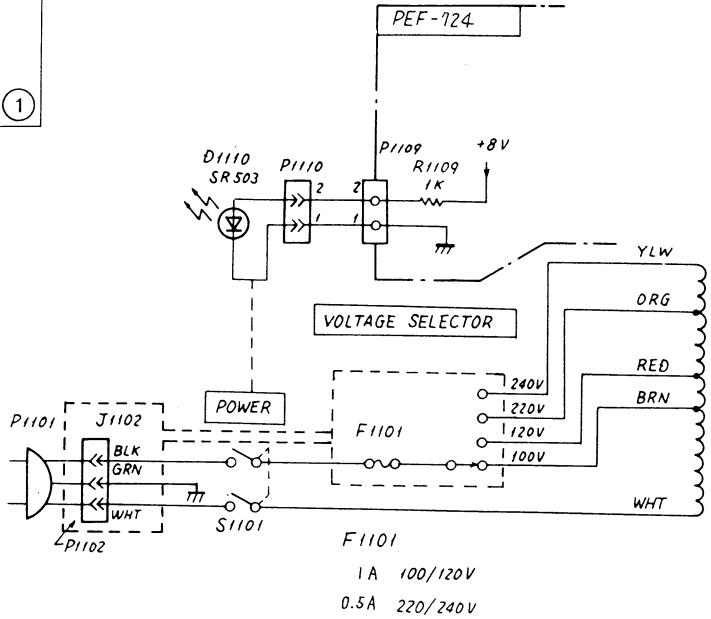
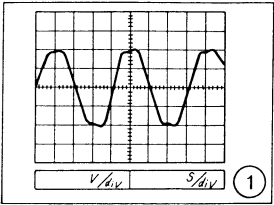
5-1 V-522 SWEEP GEN



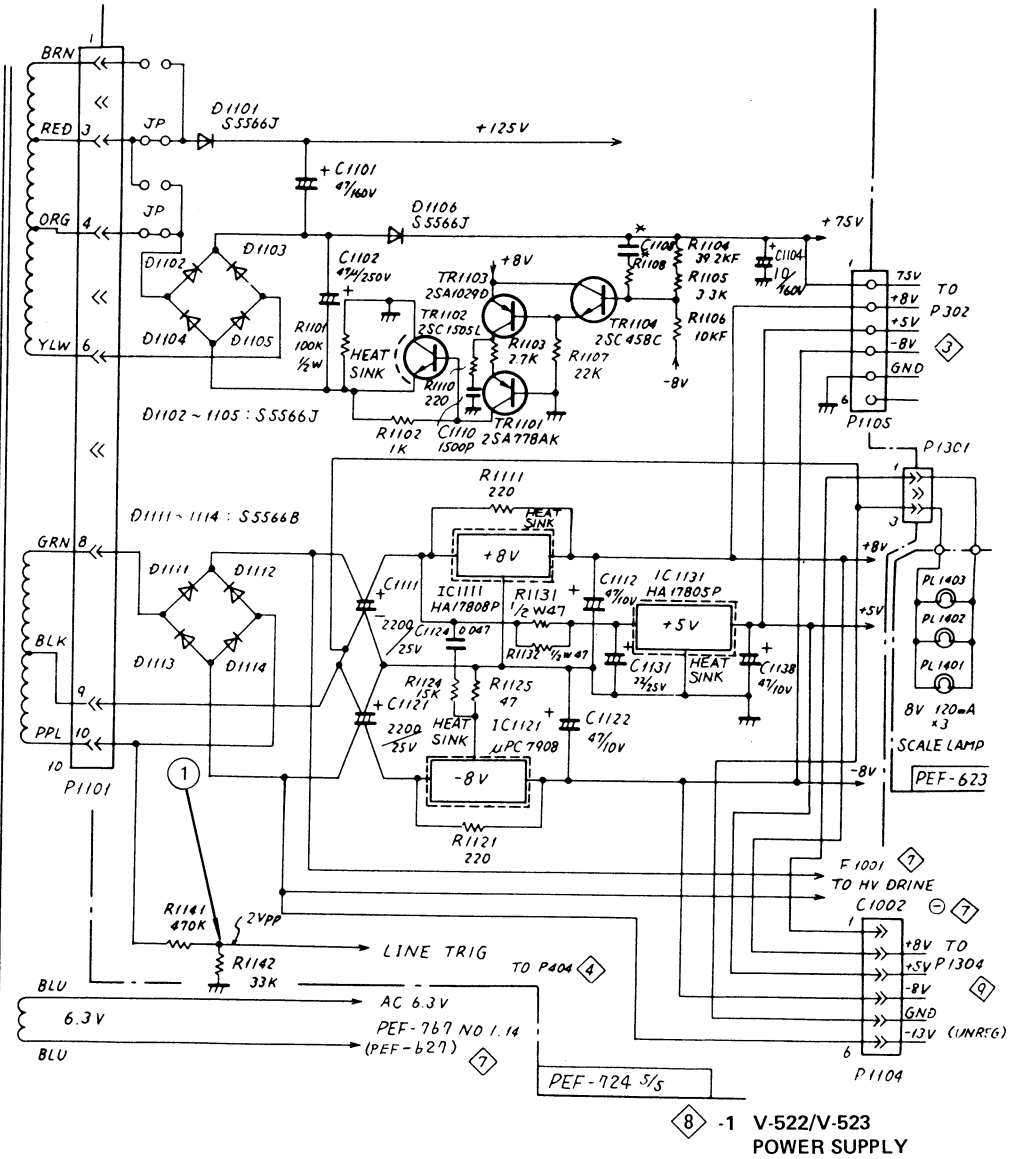
6 -1 V-522/V-523 H-AMP

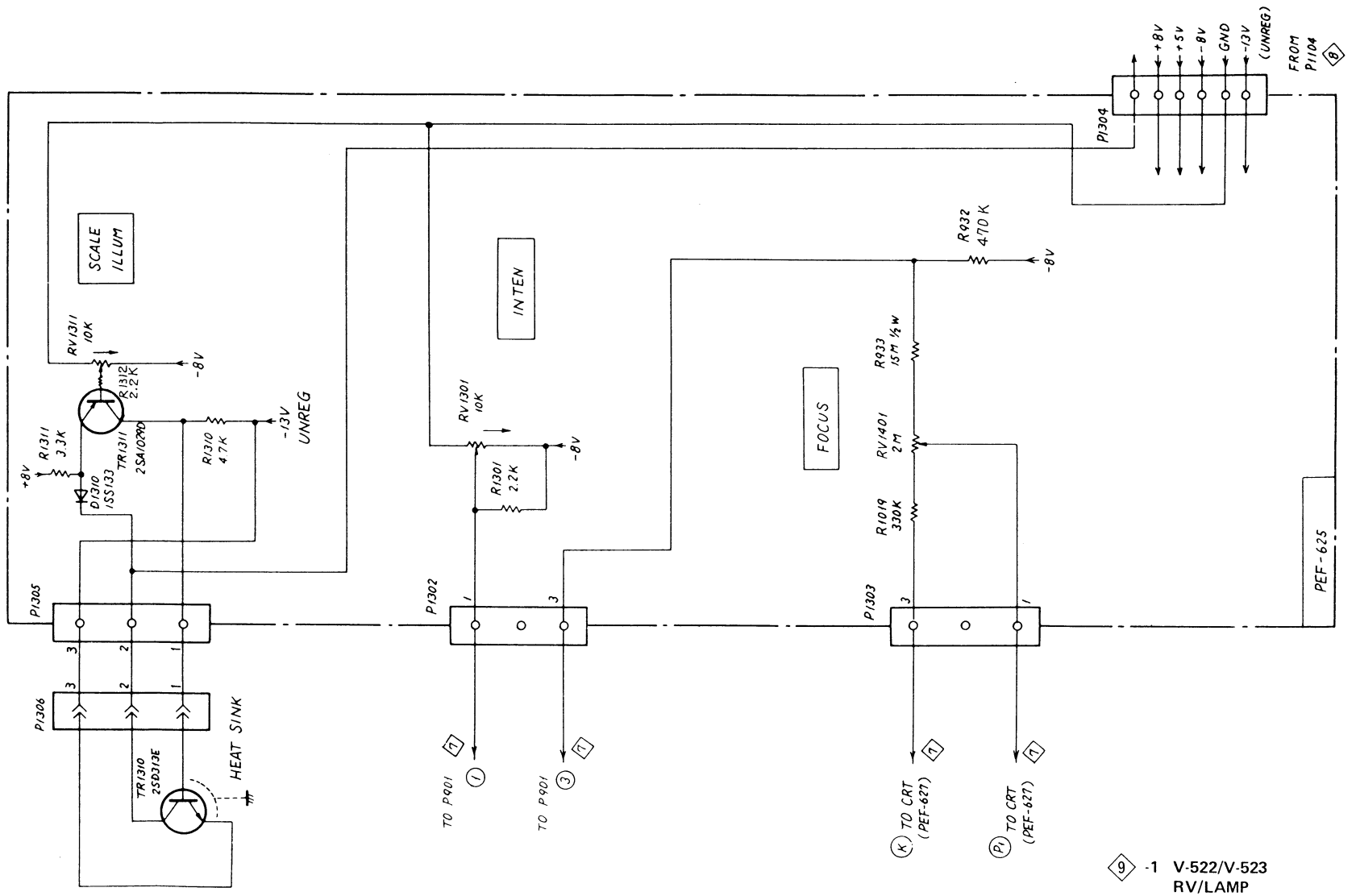


7 -1 V-522/V-523 HV and Z-AMP

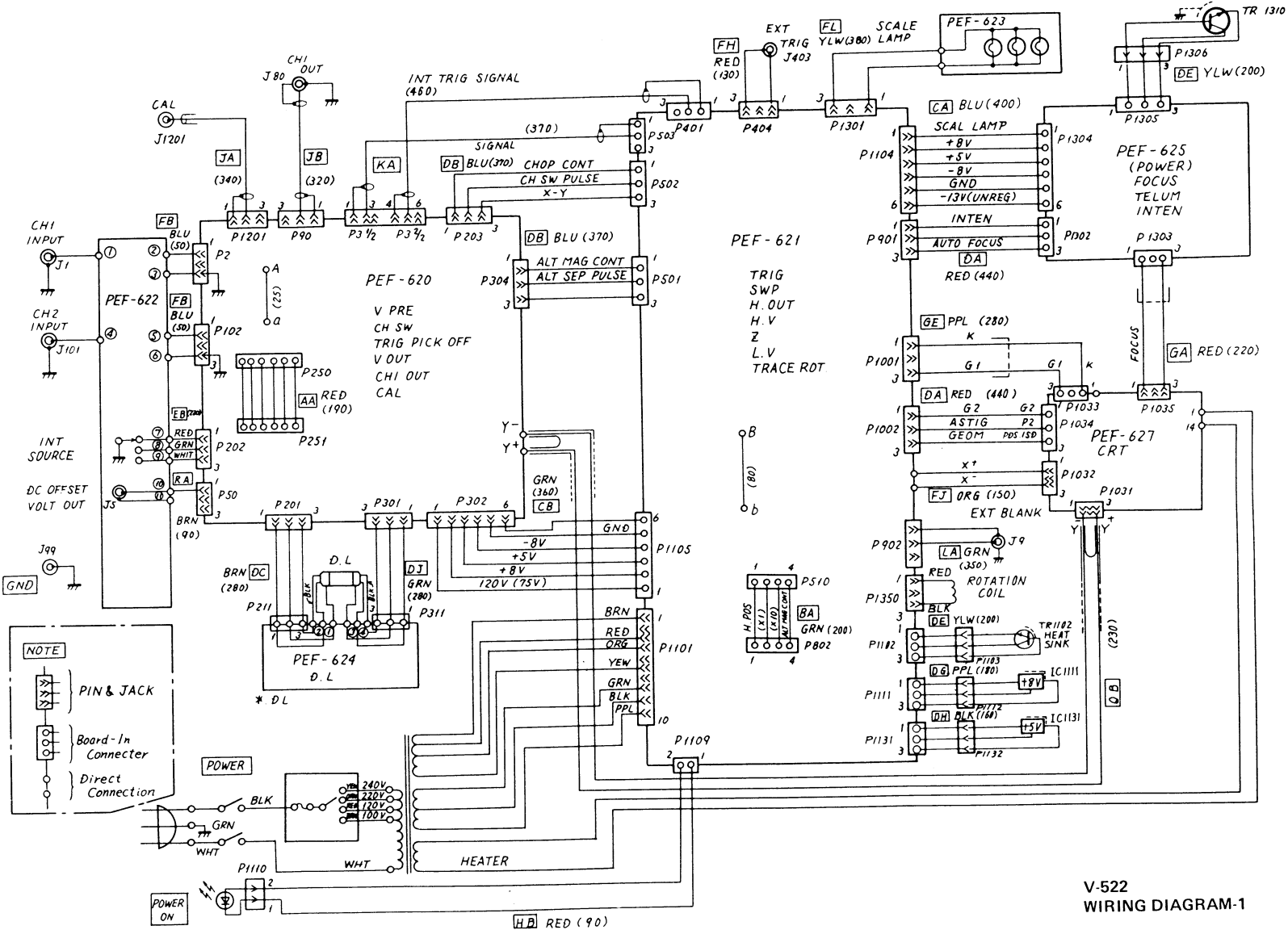


T1101





9 -1 V-522/V-523
RV/LAMP



V-522
WIRING DIAGRAM-1