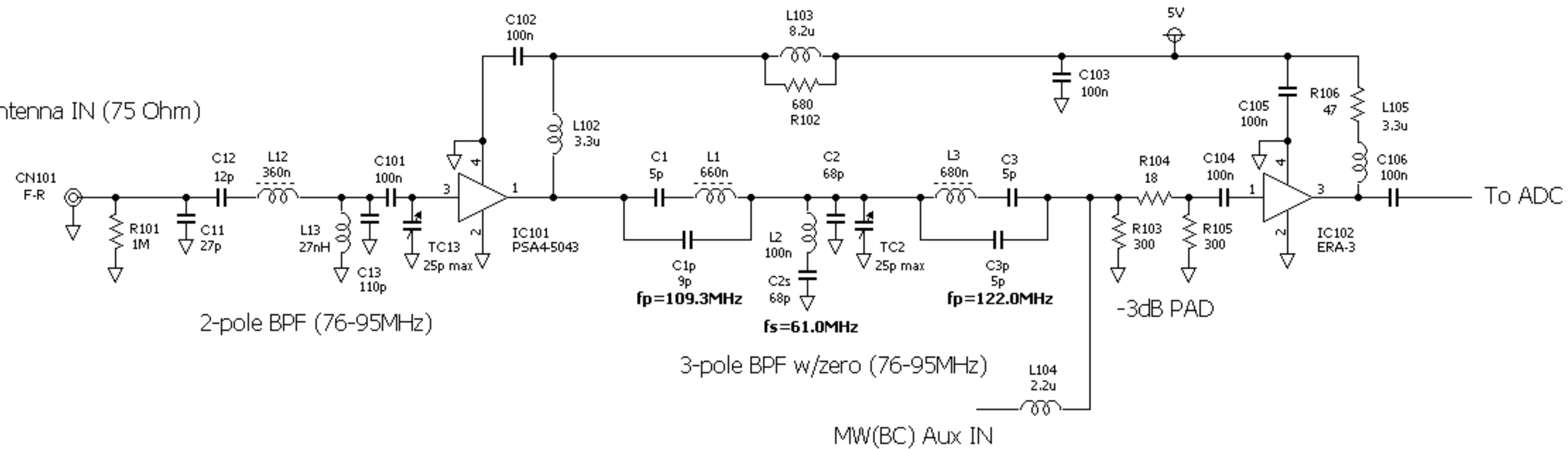


FM Antenna IN (75 Ohm)



2-pole BPF (76-95MHz)

$f_p = 109.3\text{MHz}$

$f_s = 61.0\text{MHz}$

3-pole BPF w/zero (76-95MHz)

$f_p = 122.0\text{MHz}$

-3dB PAD

MW(BC) Aux IN

To ADC