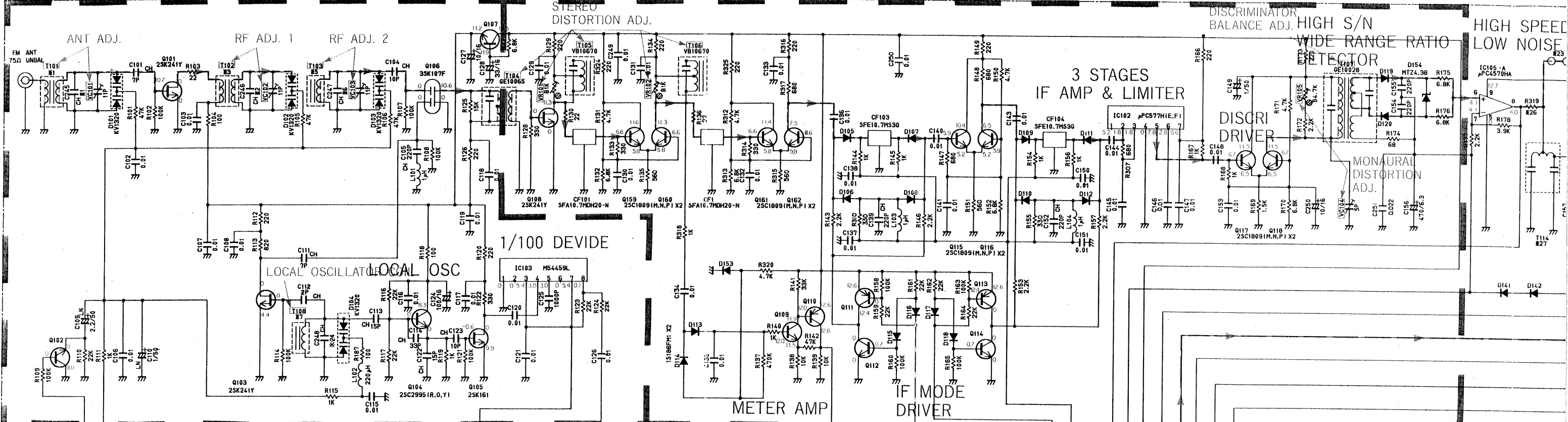


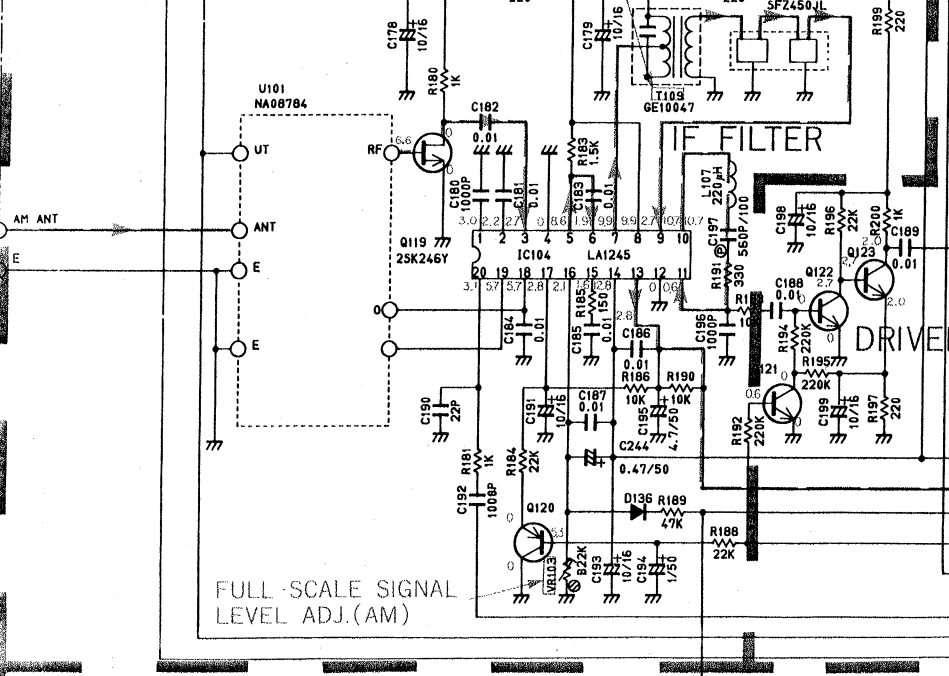
SCHEMATIC DIAGRAM

FM FRONT END SECTION

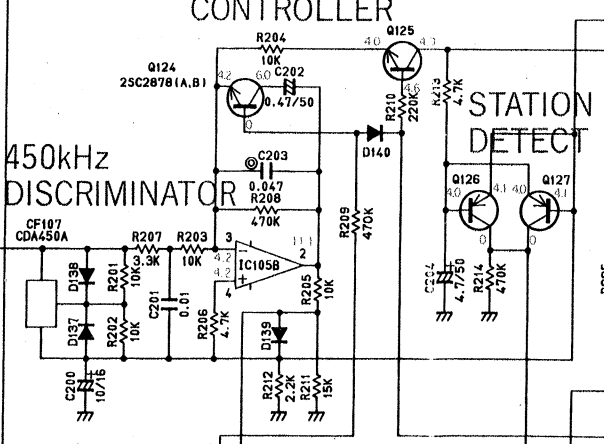
FM IF SECTION



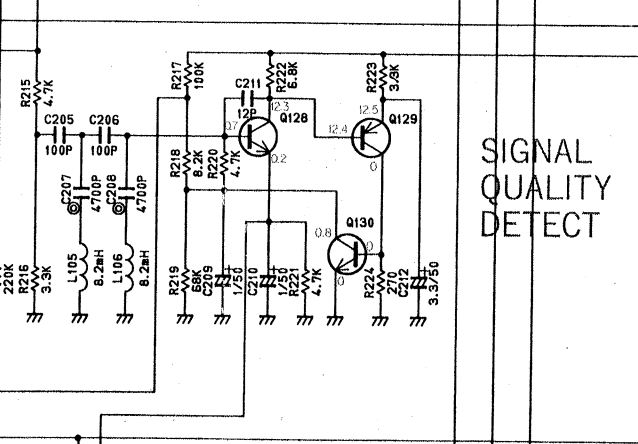
AM SECTION



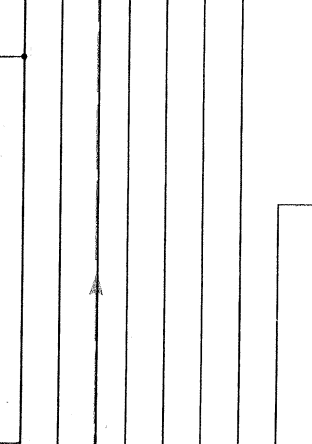
S-CURVE CONTROLLER



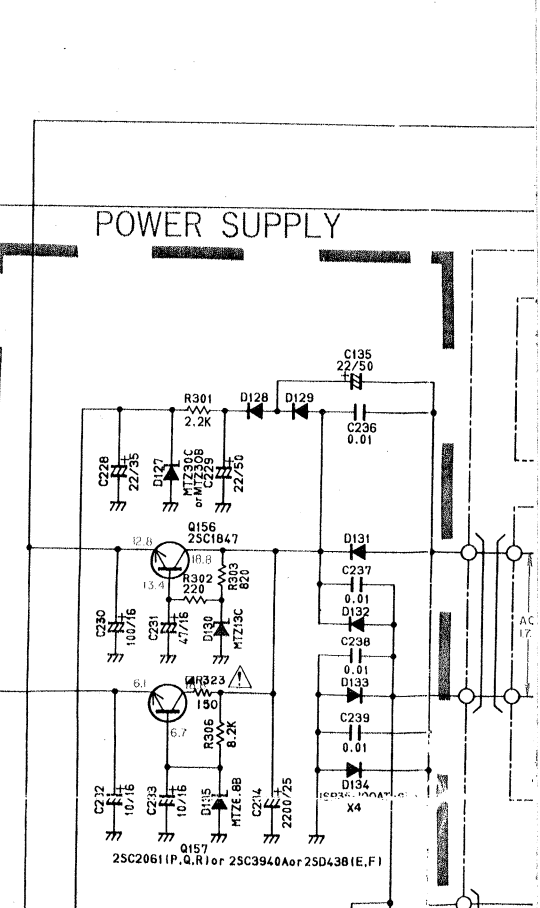
STATION DETECT



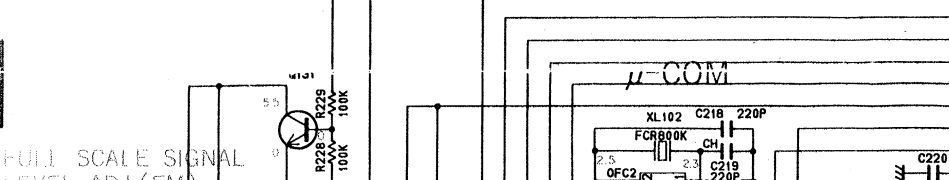
SIGNAL QUALITY DETECT



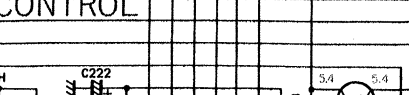
POWER SUPPLY



CONTROL SECTION

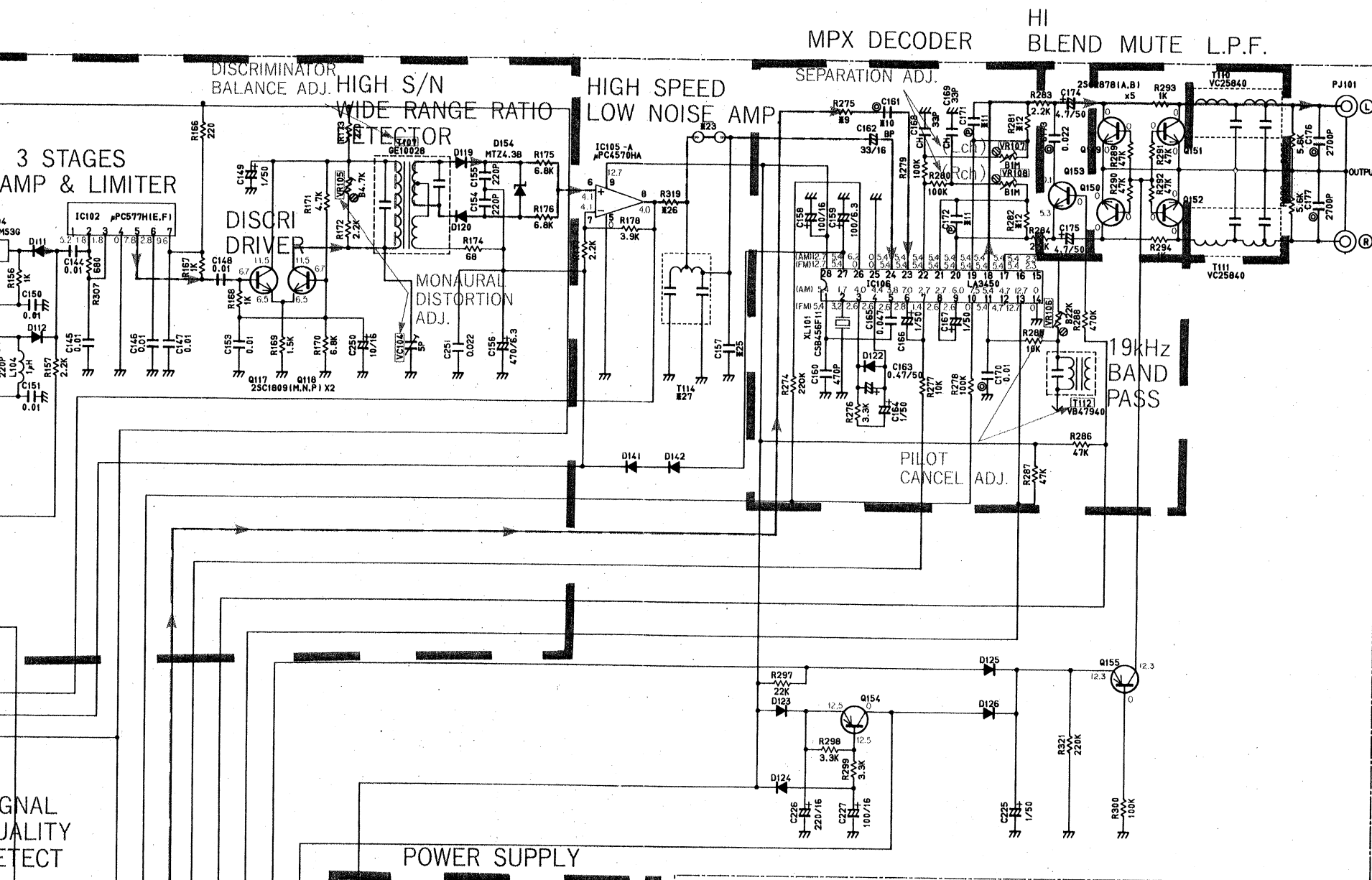


TUNING CONTROL



FULL SCALE SIGNAL LEVEL ADJ.(FM)





3 STAGES
AMP & LIMITER

DISCRIMINATOR
BALANCE ADJ. HIGH S/N
WIDE RANGE RATIO
DETECTOR

HIGH SPEED
LOW NOISE AMP

SEPARATION ADJ.

HI
BLEND MUTE L.P.F.

19kHz
BAND
PASS

POWER SUPPLY

SIGNAL
QUALITY
DETECT

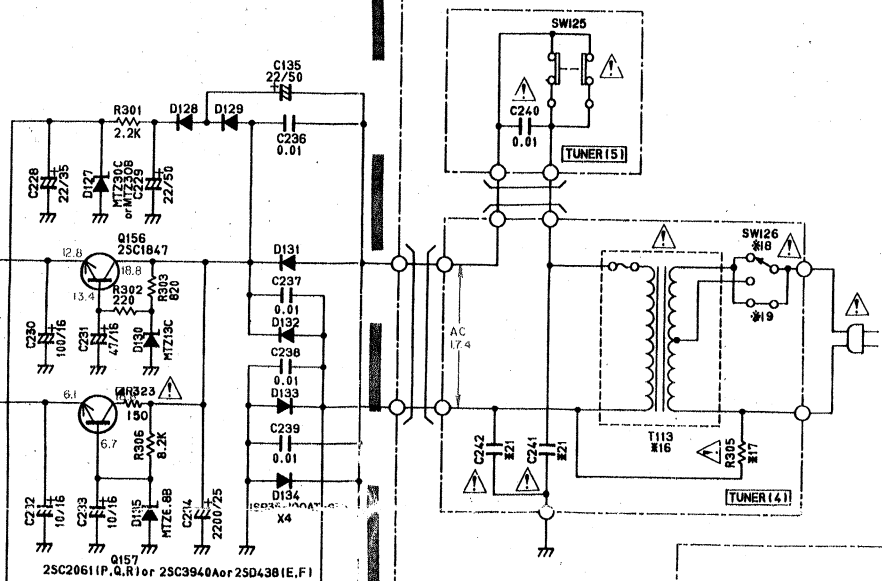
- Unless otherwise specified
- PNP TRANSISTOR 2SA1317S
- NPN TRANSISTOR 2SC3303S
- DIODE 1SS287

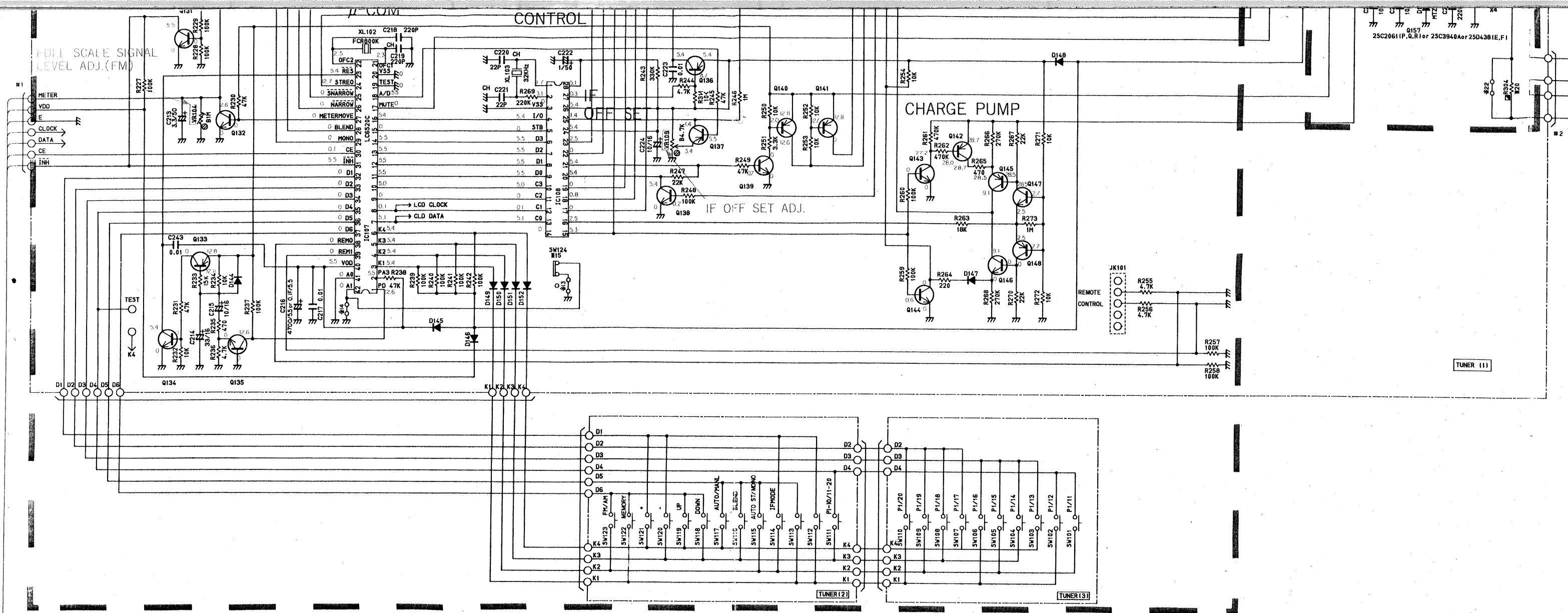
Note: *marked

#	J	R	U,C	A,B	G
1	T101	VC24580	VC24590	VC24590	VC24590
2	C245, 246	12pF	5pF	5pF	5pF
3	T102	VC24600	VC24610	VC24610	VC24610
4					
5	T103	VC24620	VC24630	VC24630	VC24630
6	C247	CH8pF/50V	CH2pF/50V	CH2pF/50V	CH2pF/50V
7	T108	VC24640	VC24650	VC24650	VC24650
8					
9	R275	47kΩ	47kΩ	47kΩ	68kΩ
10	C161	0.022μF	0.022μF	0.022μF	0.018μF
11	C171, 172	510pF/100V	750pF/100V	510pF/100V	430pF/100V
12	R281, 282	100kΩ	100kΩ	100kΩ	120kΩ
13	J151	Short	Open	Open	Open
14	J156	Short	Open	Open	Short
15	SW124	Open	VA9453C	Open	Open
16	T113	XB765001	XB766001	XB766001	XB766001
17	R305	Open	Open	2.2MΩ	Open
18	SW126	Open	LA0058	Open	Open
19	J211	Short	Open	Short	Short
20	R304	Open	Open	Open	10Ω
21	C241, 242	Open	Open	Open	0.01
22	J161	Short	Short	Short	Open
23	J166	Short	Short	Short	Open
24	C248	10pF	8pF	8pF	8pF
25	C157	Ⓞ4700pF	Ⓞ4700pF	Ⓞ4700pF	Ⓞ330pF/100V
26	R319	330Ω	330Ω	330Ω	2.2kΩ
27	T114	Open	Open	Open	VC59920

USA EUROPE

- RESISTOR
- REMARKS: PARTS NAME
- NO MARK CARBON FILM RESISTOR (1/2W)
 - Ⓞ CARBON FILM RESISTOR (1/4W)
 - Ⓞ METAL OXIDE FILM RESISTOR
 - Ⓞ METAL FILM RESISTOR
 - Ⓞ METAL PLATE RESISTOR
 - Ⓞ FLAME PROOF CARBON FILM RESISTOR
 - Ⓞ PREPENT MOXDED RESISTOR
 - Ⓞ SEMI VARIABLE RESISTOR
- CAPACITOR
- REMARKS: PARTS NAME
- NO MARK ELECTROLYTIC CAPACITOR
 - NO MARK CERAMIC CAPACITOR
 - Ⓞ POLYESTER FILM CAPACITOR (50V)
 - Ⓞ POLYSTYRENE FILM CAPACITOR
 - Ⓞ MICA CAPACITOR
 - Ⓞ POLYPROPYLENE FILM CAPACITOR
 - Ⓞ ISOBUTYRAC-ACETIC GLYCOLIC CAPACITOR





PIN CONNECTION DIAGRAM OF TRANSISTORS, DIODES AND ICs.

2SC1809 (M, N, P) 2SC2878 (A, B) 	2SA1317S 2SC3330S 2SC2995 (R, O, Y) 	2SK241 (Y) 2SK161 	2SK107
2SC2061 (P, O, R) 2SD438 (E, F) 	2SC1847 	2SK246 (Y) 	1SS287 1S88FM MTZ6.8E MTZ13C MTZ30B MTZ4.3E

