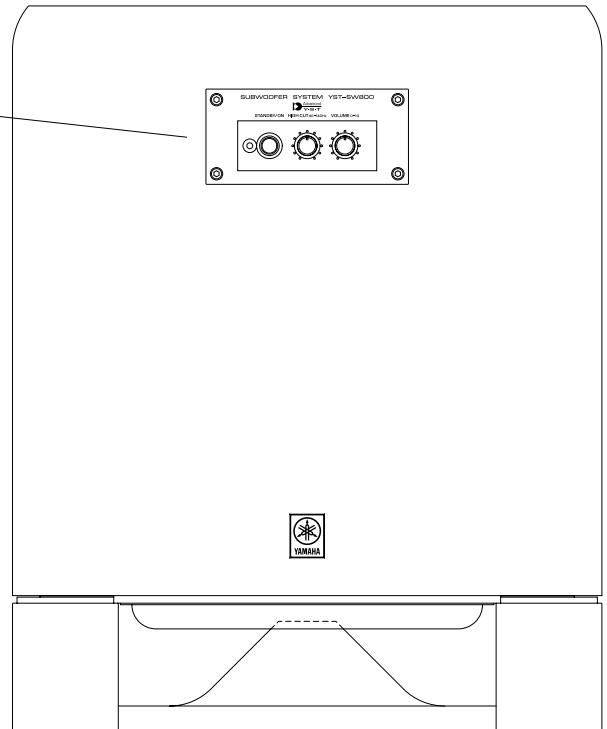
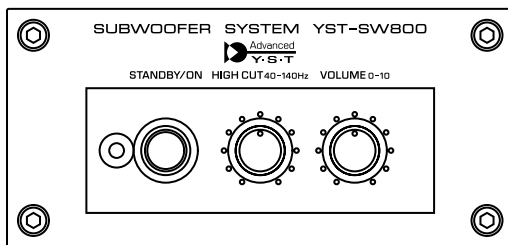


SUBWOOFER SYSTEM

YST-SW800

SERVICE MANUAL



IMPORTANT NOTICE

This manual has been provided for the use of authorized YAMAHA Retailers and their service personnel.

It has been assumed that basic service procedures inherent to the industry, and more specifically YAMAHA Products, are already known and understood by the users, and have therefore not been restated.

WARNING: Failure to follow appropriate service and safety procedures when servicing this product may result in personal injury, destruction of expensive components, and failure of the product to perform as specified. For these reasons, we advise all YAMAHA product owners that any service required should be performed by an authorized YAMAHA Retailer or the appointed service representative.

IMPORTANT: The presentation or sale of this manual to any individual or firm does not constitute authorization, certification or recognition of any applicable technical capabilities, or establish a principle-agent relationship of any form.

The data provided is believed to be accurate and applicable to the unit(s) indicated on the cover. The research, engineering, and service departments of YAMAHA are continually striving to improve YAMAHA products. Modifications are, therefore, inevitable and specifications are subject to change without notice or obligation to retrofit. Should any discrepancy appear to exist, please contact the distributor's Service Division.

WARNING: Static discharges can destroy expensive components. Discharge any static electricity your body may have accumulated by grounding yourself to the ground buss in the unit (heavy gauge black wires connect to this buss).

IMPORTANT: Turn the unit OFF during disassembly and part replacement. Recheck all work before you apply power to the unit.

CONTENTS

TO SERVICE PERSONNEL	1
SPECIFICATIONS	1
REAR PANEL	2
DISASSEMBLY PROCEDURES	3-4
REPAIR PROCEDURES	5-6
ADJUSTMENTS	7-8
PRINTED CIRCUIT BOARD	9-12
BLOCK DIAGRAM	13
SCHEMATIC DIAGRAM	14-15
PARTS LIST	16-24

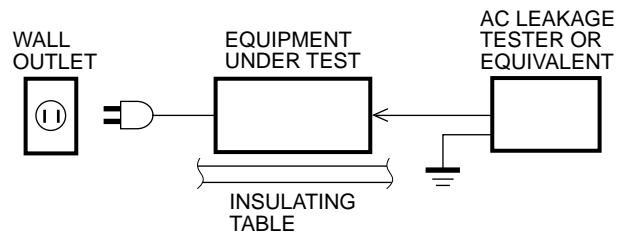


このサービスマニュアルは、エコマーク認定の再生紙を使用しています。
This Service Manual uses recycled paper.



■ TO SERVICE PERSONNEL

1. Critical Components Information
Components having special characteristics are marked \triangle and must be replaced with parts having specifications equal to those originally installed.
2. Leakage Current Measurement (For 120V Models Only)
When service has been completed, it is imperative to verify that all exposed conductive surfaces are properly insulated from supply circuits.
 - Meter impedance should be equivalent to 1500 ohm shunted by 0.15 μ F.



- Leakage current must not exceed 0.5mA.
- Be sure to test for leakage with the AC plug in both polarities.

WARNING: CHEMICAL CONTENT NOTICE!

The solder used in the production of this product contains LEAD. In addition, other electrical/electronic and/or plastic (where applicable) components may also contain traces of chemicals found by the California Health and Welfare Agency (and possibly other entities) to cause cancer and/or birth defects or other reproductive harm.

DO NOT PLACE SOLDER, ELECTRICAL/ELECTRONIC OR PLASTIC COMPONENTS IN YOUR MOUTH FOR ANY REASON WHATSOEVER!

Avoid prolonged, unprotected contact between solder and your skin! When soldering, do not inhale solder fumes or expose eyes to solder/flux vapor!

If you come in contact with solder or components located inside the enclosure of this product, wash your hands before handling food.

■ SPECIFICATIONS

Type Advanced Yamaha Active Servo Technology
 Driver 25 cm (9-13/16") cone woofer (JA25610)
 Magnetically shielded type

Amplifier Output

U, C models 1kW
 A, B, G models 800W/6 Ω

Input Impedance

INPUT1 (SP) 4.7k Ω
 INPUT2 (PJ) 12k Ω

Frequency Response 18 Hz to 160 Hz (-10 dB)

Power Supply

U, C models AC120V, 60 Hz
 A model AC240V, 50 Hz
 B, G models AC230V, 50 Hz

Power Consumption 250W

Dimensions (W x H x D) 390 x 482 x 420 mm
 (15-3/8" x 19" x 16-9/16")

Weight 24 kg (52 lbs. 14 oz)

Finish

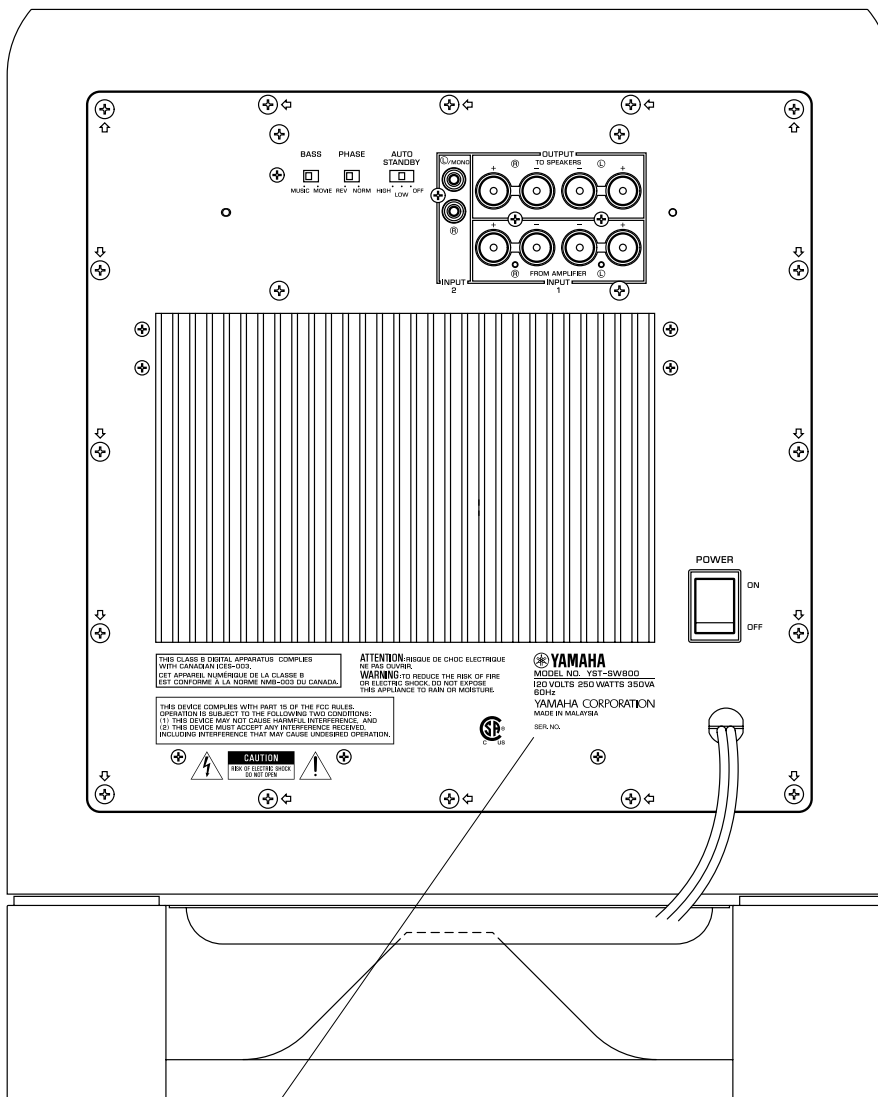
All model Black color
 G model Cherry color

Accessories Nonskid pad x 4

* Specifications subject to change without notice.

U USA model
 C Canadian model
 A Australian model
 B British model
 G European model

REAR PANEL



▼ U, C models

YAMAHA
 MODEL NO. YST-SW800
 120 VOLTS 250 WATTS 350VA
 60Hz
 YAMAHA CORPORATION
 MADE IN MALAYSIA
 SER. NO.

▼ A model

YAMAHA
 MODEL NO. YST-SW800
 240 VOLTS 250 WATTS
 50 Hz ~
 YAMAHA CORPORATION
 MADE IN MALAYSIA
 SER. NO.

▼ B, G models

YAMAHA
 MODEL NO. YST-SW800
 230 VOLTS 250 WATTS
 50 Hz ~
 YAMAHA CORPORATION
 MADE IN MALAYSIA
 SER. NO.



DISASSEMBLY PROCEDURES

(Remove parts in the order as numbered.)

1. Removal of Front Panel Ass'y

Remove 4 screws (①) and then remove the Front Panel Ass'y in Fig. 1.

- * Use an Allen wrench (3mm) to unscrew the Front Panel Ass'y.

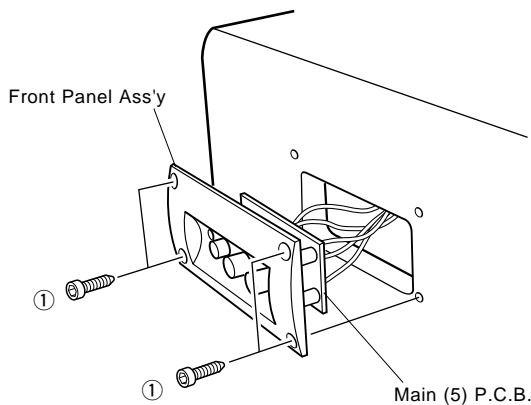


Fig. 1

2. Removal of Loud Speaker

- a. Remove 8 screws (②) and then remove the Base Ass'y in Fig. 2.
- b. Remove 8 screws (③) and then remove the Loud Speaker in Fig. 2.

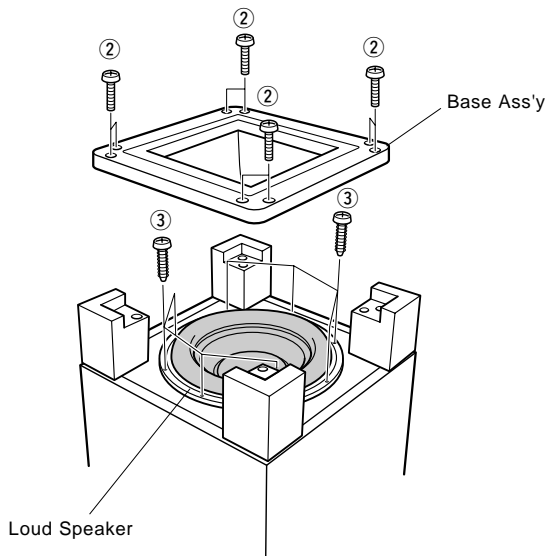


Fig. 2

3. Removal of Rear Panel Ass'y

Remove 16 screws (④) in Fig. 3.

- * Arrow marks (⇨) are printed to identify the screws to be removed.

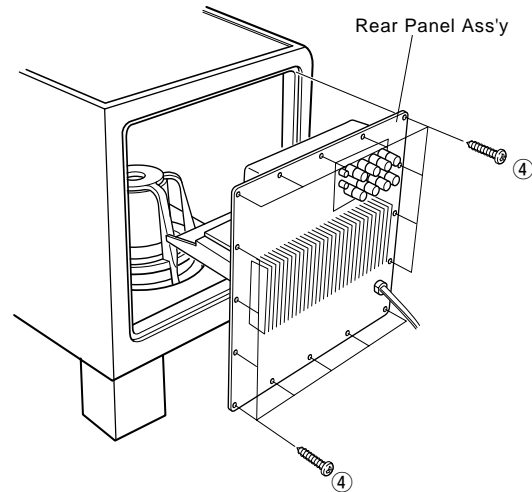


Fig. 3

- * When assembling the Rear Panel, check to ensure that the gasket is not damaged so as to prevent air leakage from occurring.

● Installation of emblem

1. Put the emblem into the cabinet at the specified position.
2. Place a piece of cloth/wood on top of the emblem.
3. Using a mallet, hammer the emblem in place through the cloth/wood.

- * Use special care not to cause damage to the emblem or cabinet while hammering the emblem.

● **Installation of power switch**

Rapid cures bond (such as 5 minute epoxy) is required to fix the power switch.

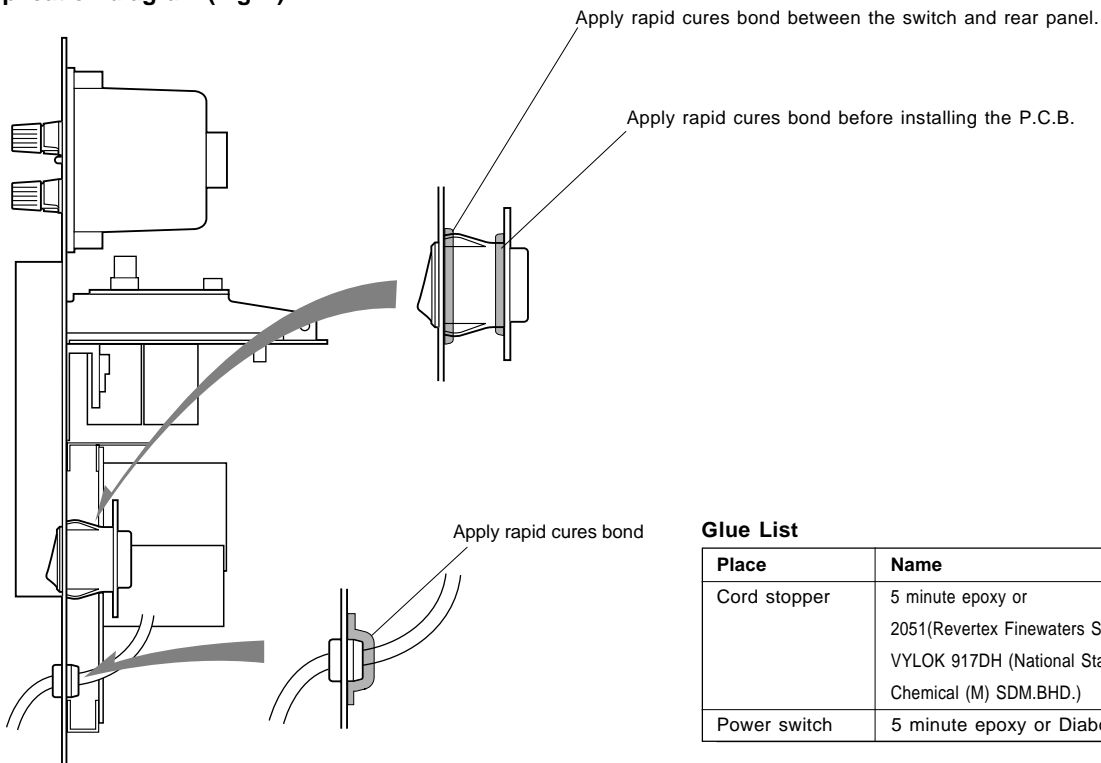
As shown in Fig. 4, apply rapid cures bond (such as 5 minute epoxy) to the power switch (the area which contacts the rear panel), insert it in the rear panel and make sure it is fixed.

(Inserting the power switch in the rear panel only would not be sufficient for its secure installation.)

● **Precaution for installation of power cord**

After connecting the power cord, be sure to apply the rapid cures bond (such as 5 minute epoxy) to the cord stopper as shown in Fig. 4,

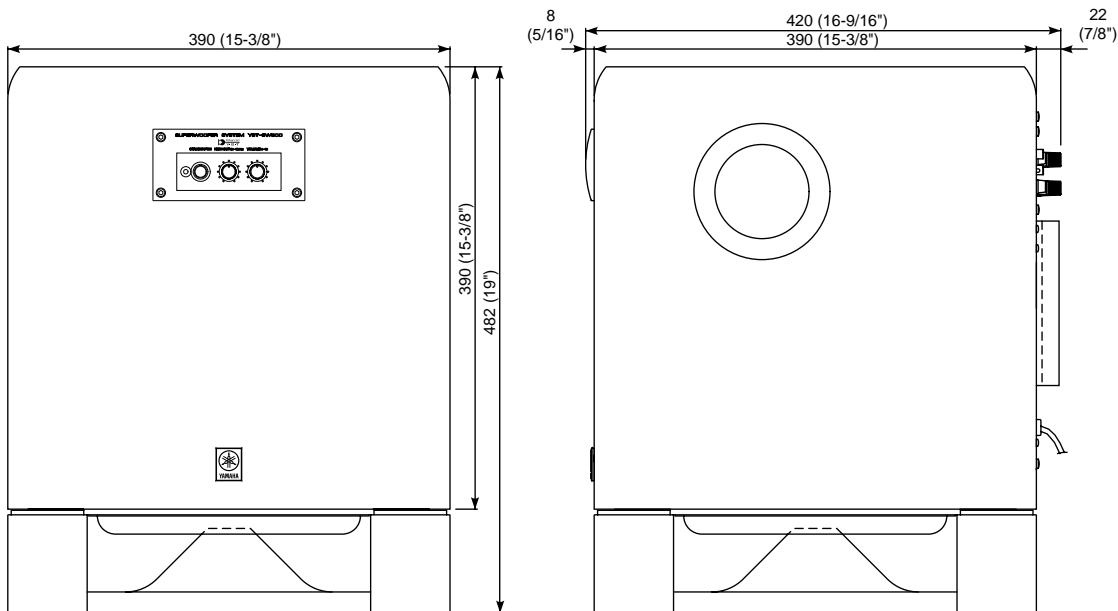
Bond application diagram (Fig. 4)



Glue List

Place	Name
Cord stopper	5 minute epoxy or 2051(Revertex Finewaters SDN.BHD.) or VYLOK 917DH (National Starch & Chemical (M) SDM.BHD.)
Power switch	5 minute epoxy or Diabond 1620B

● **Dimensions**



Units : mm (inch)

REPAIR PROCEDURES

It is recommended to disconnect the SW power supply section and the power amplifier because it is highly possible that the SW power supply section has also broken down due to the overload caused by breakdown in the power amplifier.

Repair Procedure

1) Remove CB201, CB202 and CB205. (Power (1) P.C.B.)

Then the power supply circuit and the power amplifier circuit will be disconnected.

2) Repair the power amplifier as described below. (Main (1) P.C.B.)

Replace the defective parts.

Whether the major parts are defective or not can be checked as follows.

Remove 3 screws fixing the heat sink to the rear panel and 4 screws fixing the support P.C.B. to the rear panel.

FET (Q16~19, Q22~24): Measure the resistance value between GATE and SOURCE to determine whether a failure exists or not.

If the measured resistance value is close to 0Ω , a failure exists.

If the measured resistance value is close to the value of the resistor connected between GATE and SOURCE, no failure exists.

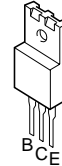
Remove 3 screws fixing the Main (1) P.C.B. to the support P.C.B.

TR (Q1~4): Check DIODE characteristics between BASE and EMITTER or between BASE and COLLECTOR to determine whether a failure exists or not.

FET



TR



Check the operation as follows.

- Prepare a stabilized DC power source equipped with +30V and -30V outputs.
- Connect +B, -B and GND output terminals of the stabilized power source to +B, -B and GND lines of the power amplifier.
- Connect the terminal of the oscilloscope to the circuit between ① in the figure and GND.
- Remove CB1. (Main (2) P.C.B.)
- Connect the output of the signal generator to the circuit between the lead on the (-) side of C1 and GND.
- Set the frequency of the signal generator to the 100Hz sine wave and the output level to the minimum level.
- Turn on the stabilized DC power source.
- Raise the output level of the signal generator gradually and check the output waveform on the oscilloscope.
- If nothing abnormal is found with the waveform until the output level reaches 40Vp-p, the check result is OK.

After operation check

Connect CB1.

3) Repair the SW power supply section as follows. (Power (1) P.C.B.)

Follow the instruction described below to avoid any danger.

High voltage maintained in C209 and C210 even after the power is turned off is dangerous. It is necessary to force this electric charge to be discharged before starting the repair work.

For such forced discharge, connect a resistance of approximately $100\Omega/5W$ to each of both terminals of the capacitor. Then check to make sure that the voltage between the capacitor terminals is 0V.

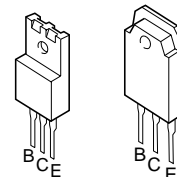
Replace the defective parts.

Whether the major parts are defective or not can be checked as follows.

TR (Q202~205): It is highly possible that a failure occurs due to a short between COLLECTOR and EMITTER.

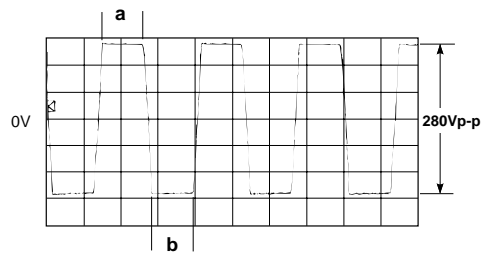
R216, R217: It is highly possible that a failure occurs due to an open circuit.

TR



Check the operation and make adjustment as follows.

- a. Connect CB205.
- b. Connect the probe of the oscilloscope between TP201 and TP202.
- c. Turn on the power switch and the STANDBY/ON switch on the front panel.
- d. Check the waveform on the oscilloscope and adjust VR201 so that a = b is obtained.
Permissible range: $a/b = 1.0 \pm 0.1$



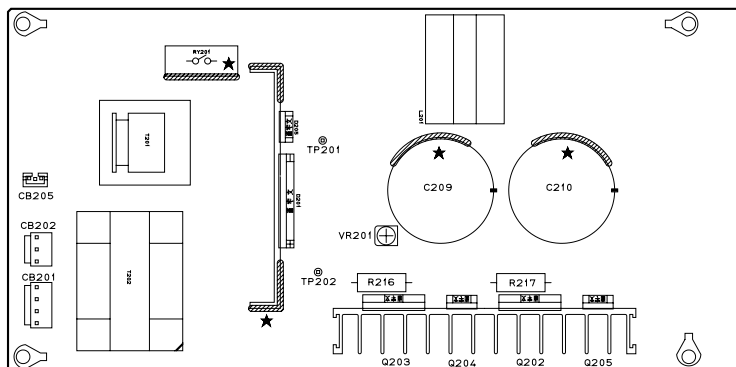
V : 50V/div H : 10 μsec/div
AC range 1 : 1 probe

CAUTION

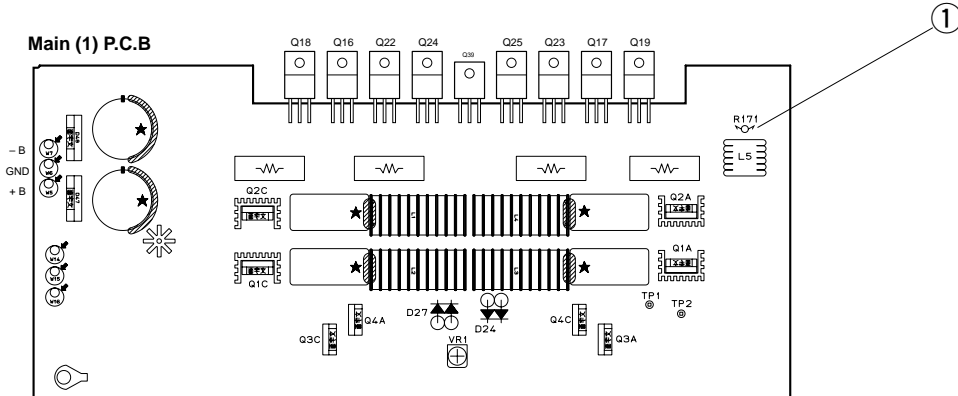
Electric potential is always applied to the ground side of the oscilloscope. Be careful so that no other part comes in contact with it.

Caution for operation check of the SW power supply section and the power amplifier
As a high voltage is applied to the SW power supply section and the power amplifier, be careful not to receive an electric shock.

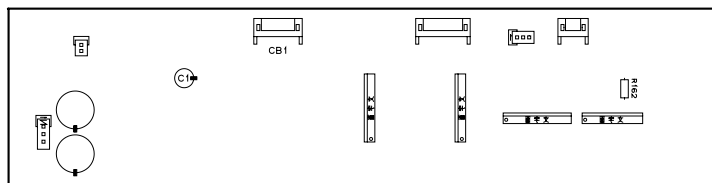
Power (1) P.C.B



Main (1) P.C.B



Main (2) P.C.B



ADJUSTMENTS

Confirmation of Power Amp operation

For the power amplifier which has been repaired, it is absolutely necessary to confirm that a correct waveform is obtained at points indicated by A and B in the schematic diagram according to the following procedure.

Devices required

Signal generator (100Hz sine wave)
8Ω or 6Ω load resistor
Oscilloscope (dual trace type)

Connection

- 1) Connect the output signal from the signal generator to the input terminal of YST-SW800.
- 2) Disconnect the connector terminal connected to the speaker unit and reconnect it to the load resistor.
- 3) Connect the HOT side of the oscilloscope CH1 probe to the point A or B indicated in the figure and the GND side to the GND of the main unit.
- 4) Connect the oscilloscope CH2 input to the red side of the connector cable, which is connected with the load resistor.

At this time, the GND terminal of CH2 must be left unconnected.

Setting

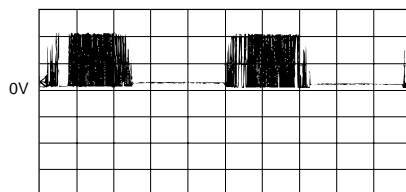
- 1) Set the signal generator to the sine wave, 100Hz and minimum output level settings.
- 2) Set the volume of YST-SW800 to the minimum position.
- 3) Turn on the power to YST-SW800.
- 4) Adjust the output level of the signal generator and the volume of YST-SW800 so that the output level observed at oscilloscope CH2 is 70Vp-p.

Waveform observation

With the settings made as described above, observe the waveform obtained at CH1 for judgment.

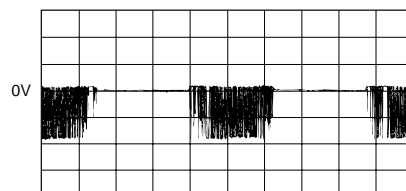
Normal

Point A (Cathode of D27)
V : 50V/div H : 2 msec/div
DC range 1 : 1 probe



Abnormal
+B or GND level
Becomes constant

Point B (Anode of D24)
V : 50V/div H : 2 msec/div
DC range 1 : 1 probe



Abnormal
-B or GND level
Becomes constant

Idling Adjustment

To stabilize operation of the amplifier, turn ON the power with no input signal and wait for 1 or 2 minutes in non loaded condition before the adjustment. Adjust VR1 so that the voltage between terminals TP1 and TP2 is DC 50mV to 250mV.

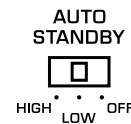
Confirmation of AUTO STANDBY operation

Setting

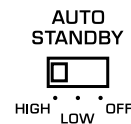
- 1) Turn off the power switch.
- 2) In order to shorten the time required for operation check; connect a 10kΩ resistor at both ends of R162 on the MAIN (2) P.C.B.
- 3) Connect the output signal from the signal generator to the L/MONO terminal of YST-SW800.
- 4) Set the signal generator for the sine wave of 100Hz, 8mV.
- 5) Turn on the power switch.

Confirmation

- 1) Set the AUTO STANDBY switch to the LOW position.



- 2) Turn on the STANDBY/ON switch.
The display LED lights up (green) and its color changes to red after 5 to 10 seconds.
- 3) Turn off the STANDBY/ON switch.
The display LED goes off.
- 4) Set the AUTO STANDBY switch to the HIGH position.

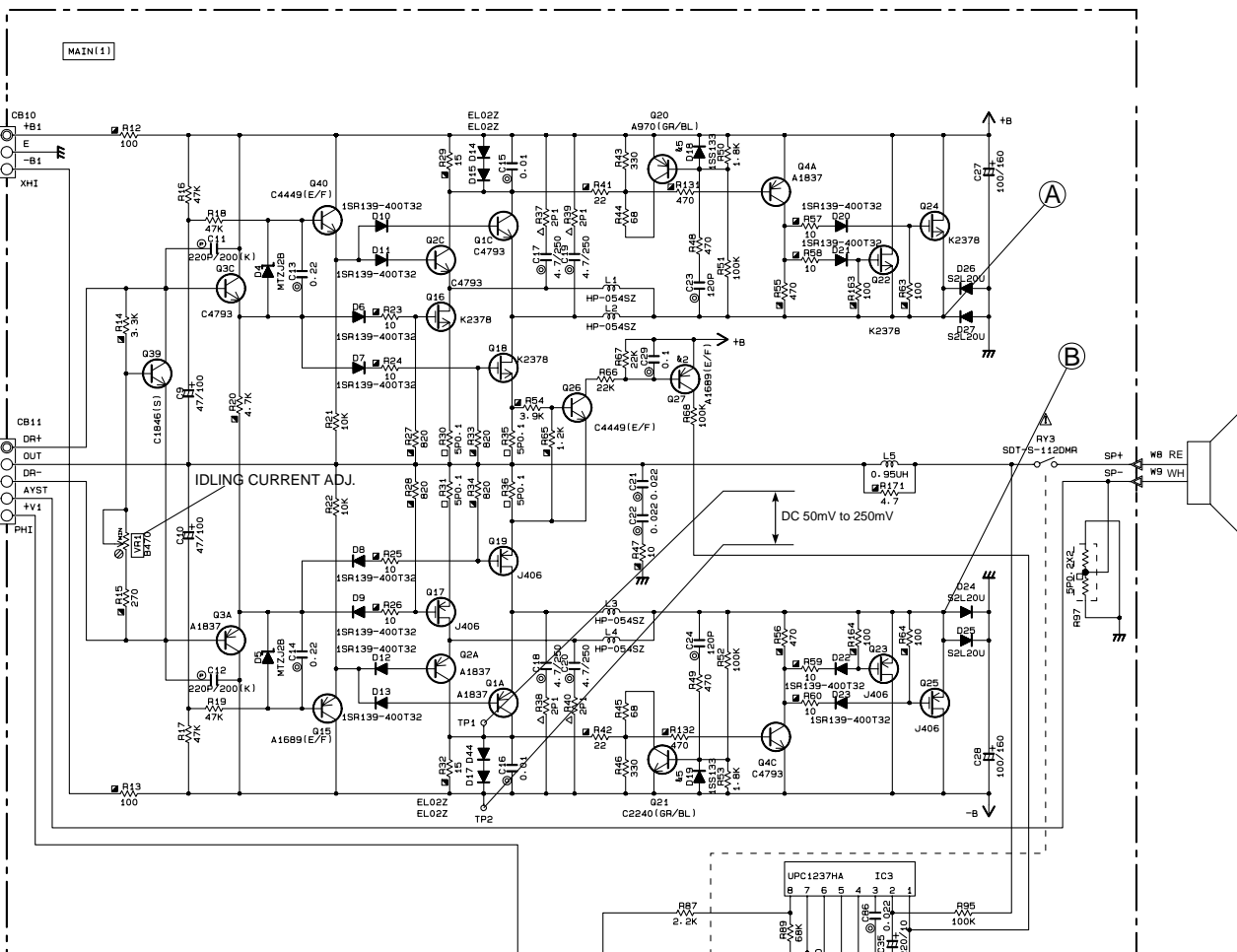


- 5) Turn on the STANDBY/ON switch.
The display LED lights up (green) and its color remains unchanged even after time have elapsed.
- 6) Turn off the STANDBY/ON switch.
The display LED goes off.

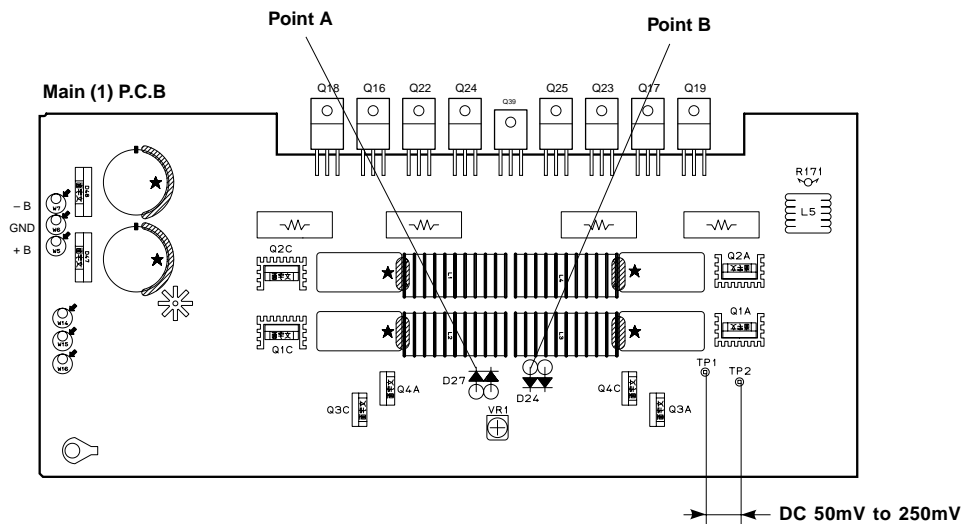
After confirmation

- 1) Turn off the power switch.
- 2) Disconnect the 10kΩ resistor connected to both ends of R162.

● Schematic Diagram

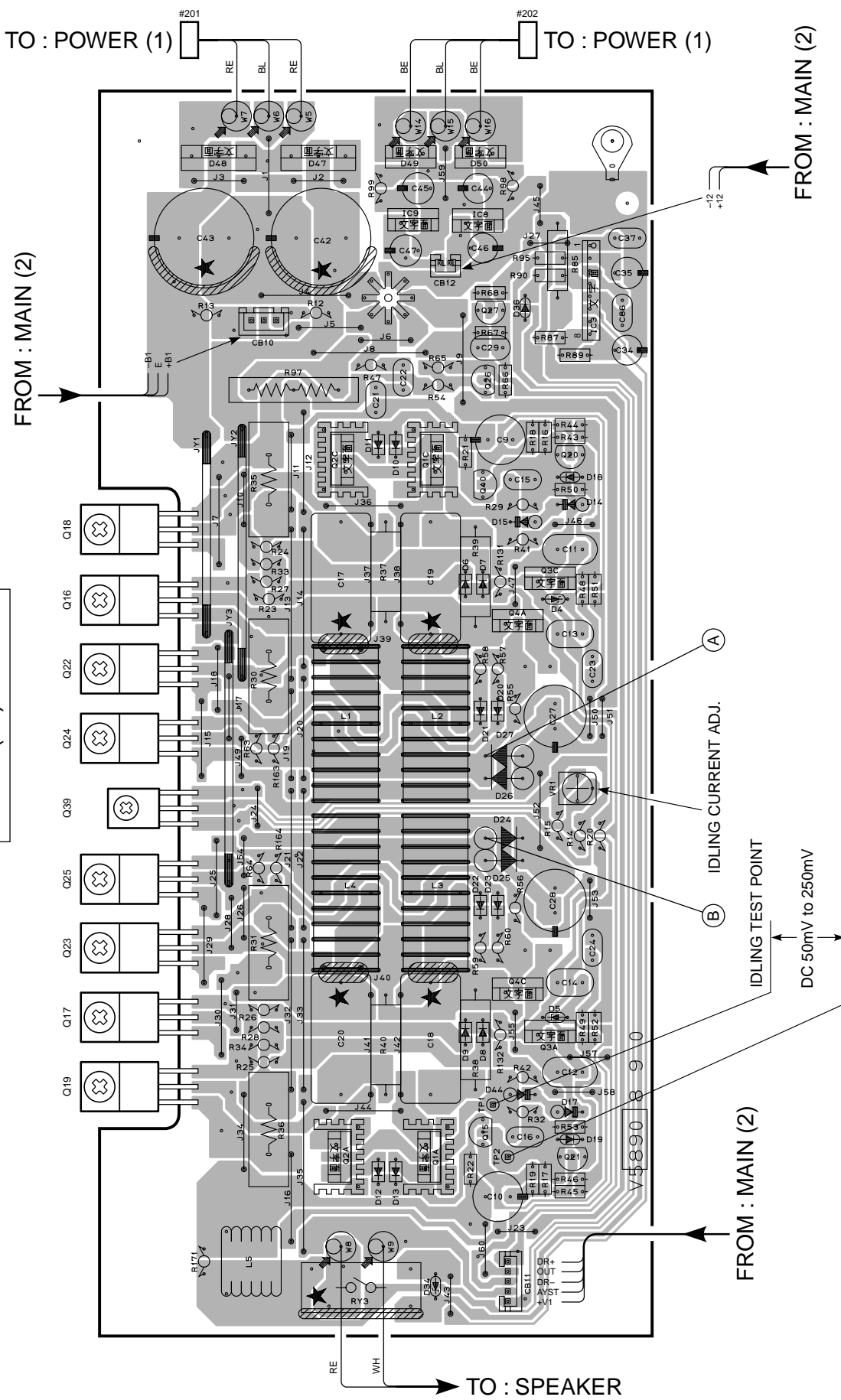


● Test Points



PRINTED CIRCUIT BOARD (Foil side)

MAIN (1) P.C.B.



FROM : MAIN (2)

IDLING CURRENT ADJ.

IDLING TEST POINT

DC 50mV to 250mV

FROM : MAIN (2)

TO : SPEAKER

TO : POWER (1)

TO : POWER (1)

FROM : MAIN (2)

A

B

1

PRINTED CIRCUIT BOARD (Foil side)

2

3

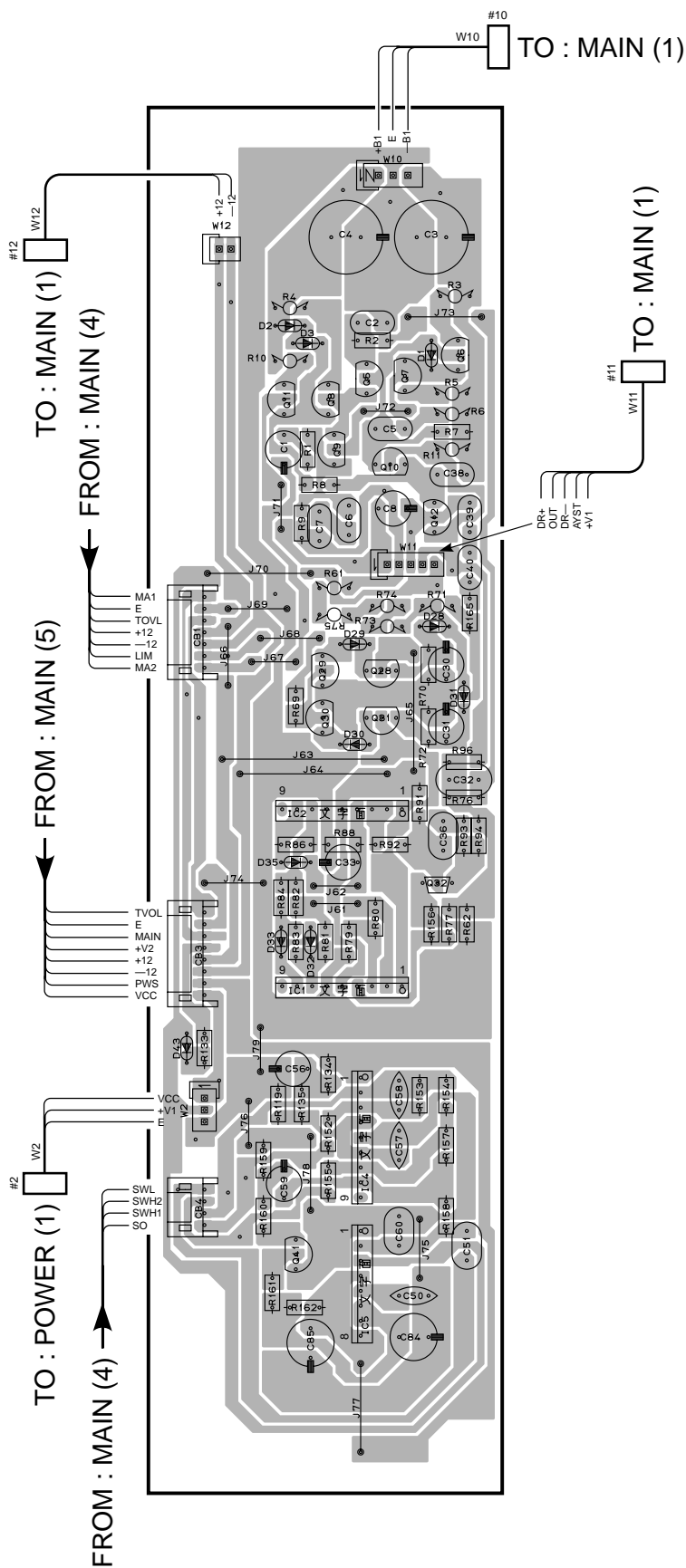
4

5

6

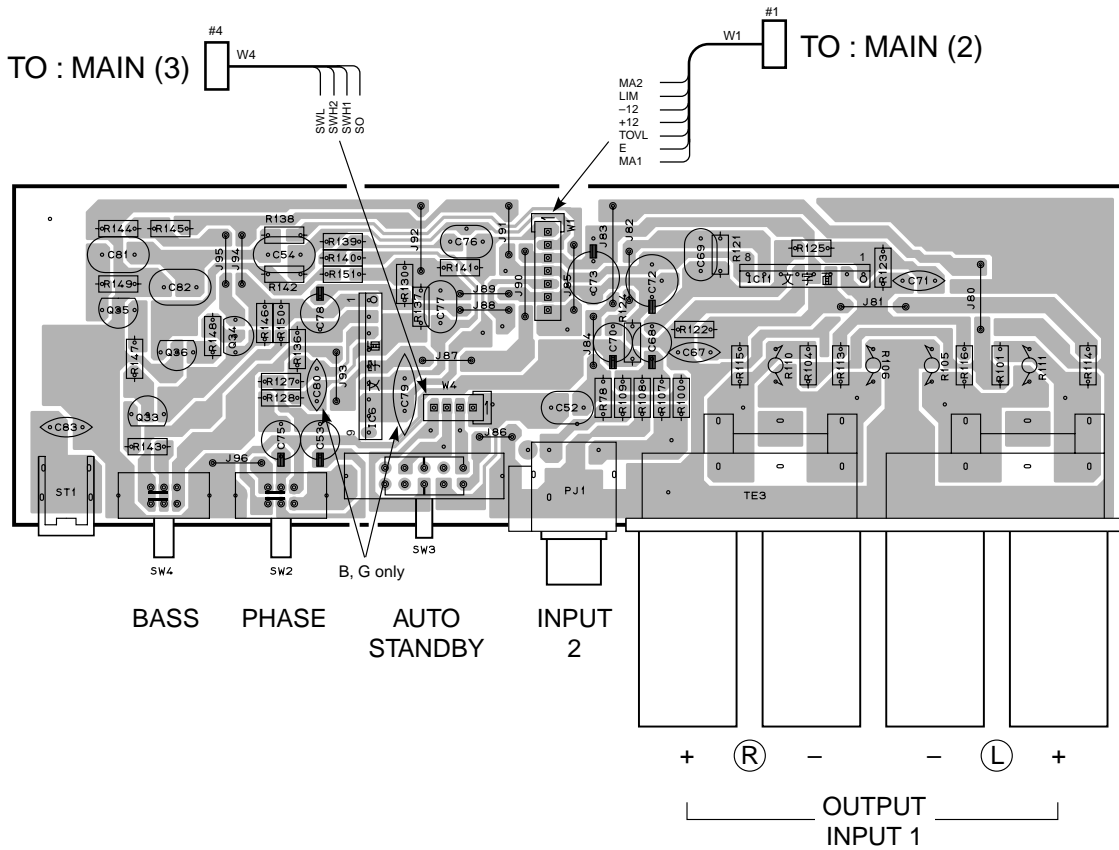
7

MAIN (2) P.C.B.



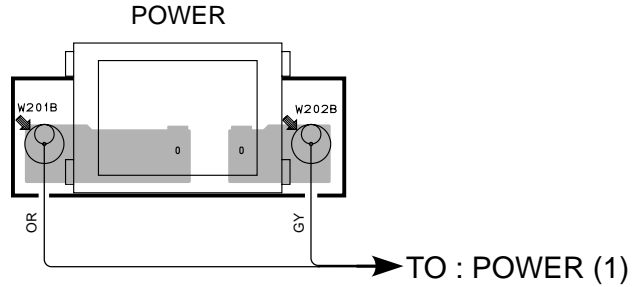
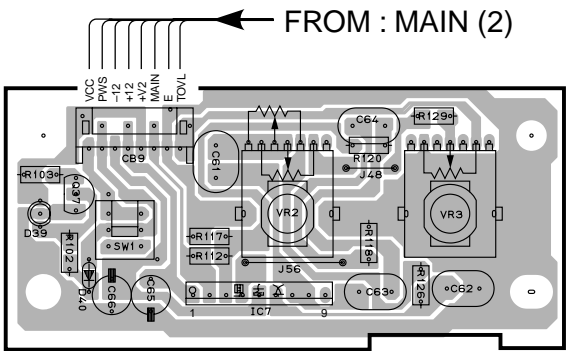
1 ■ PRINTED CIRCUIT BOARD (Foil side)

MAIN (4) P. C. B.



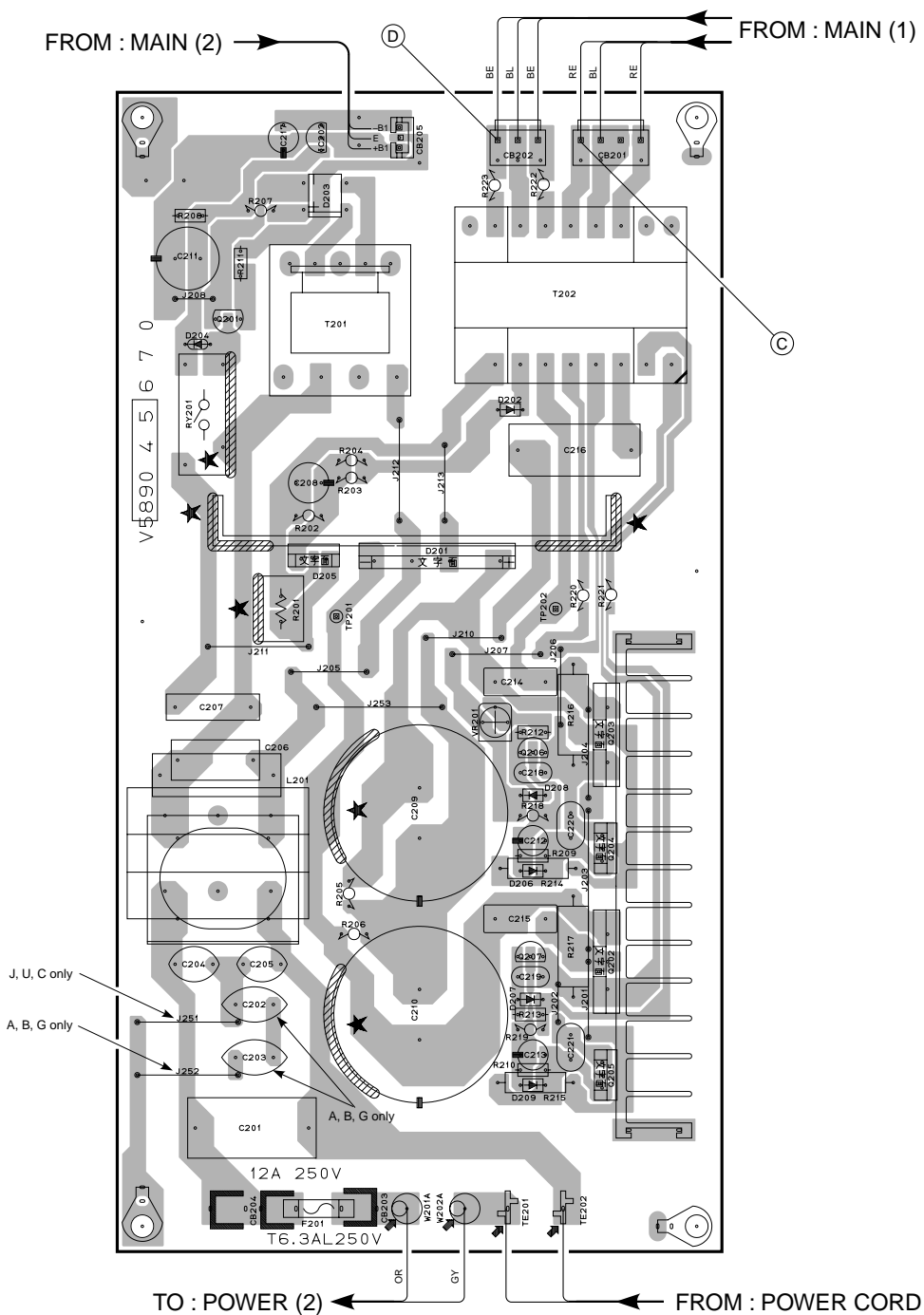
MAIN (5) P. C. B.

POWER (2) P. C. B.

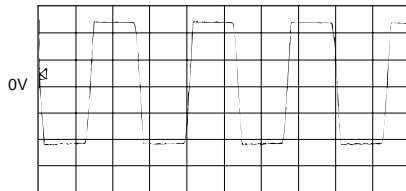


1 ■ PRINTED CIRCUIT BOARD (Foil side)

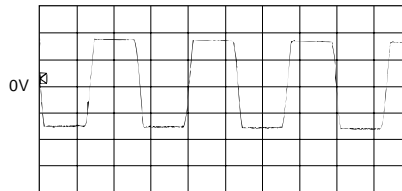
POWER (1) P. C. B.



Point C (Pin 1 of CB201)
 V : 50V/div H : 10 μ sec/div
 DC range 1 : 1 probe



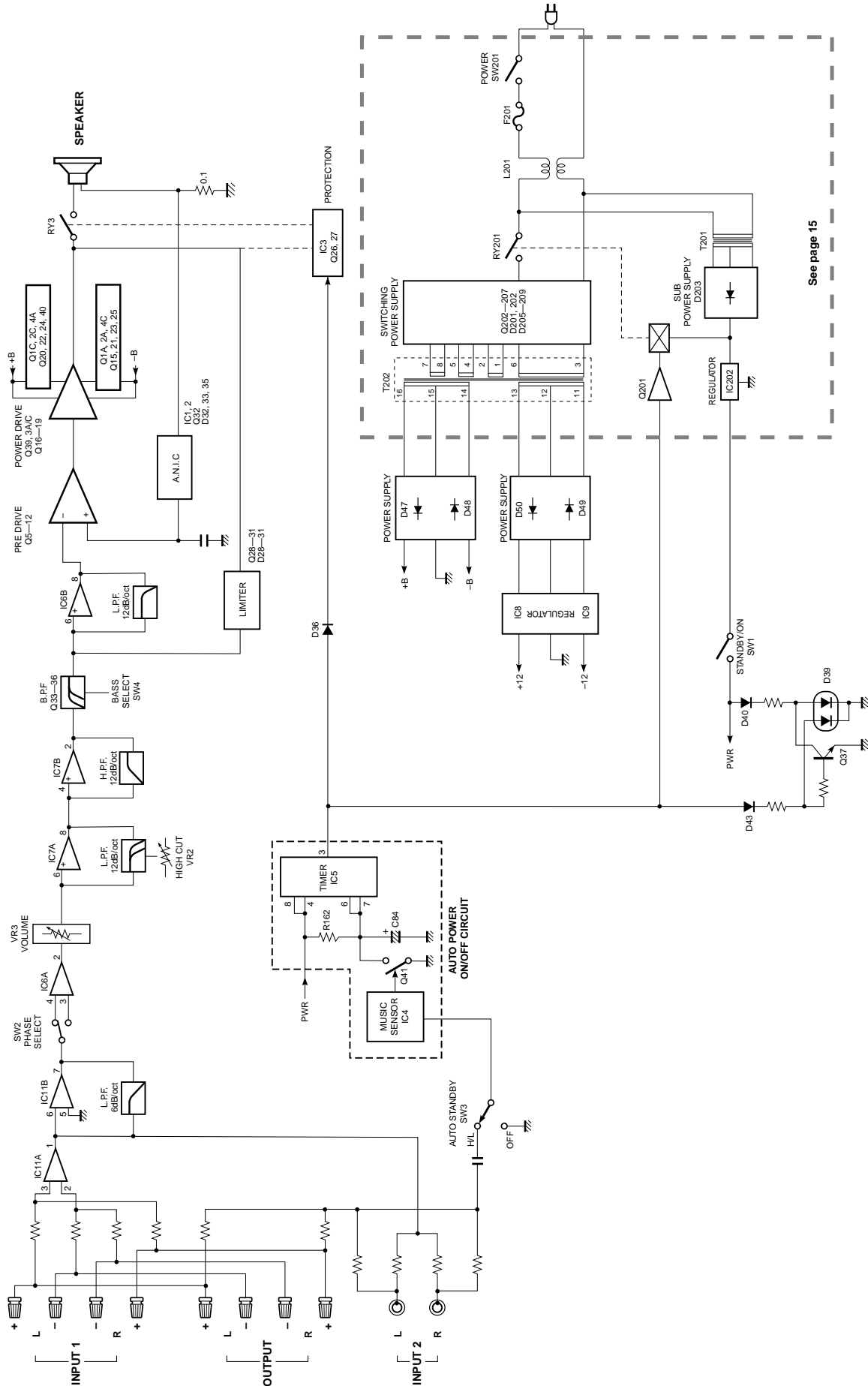
Point D (Pin 1 of CB202)
 V : 10V/div H : 10 μ sec/div
 DC range 1 : 1 probe



7

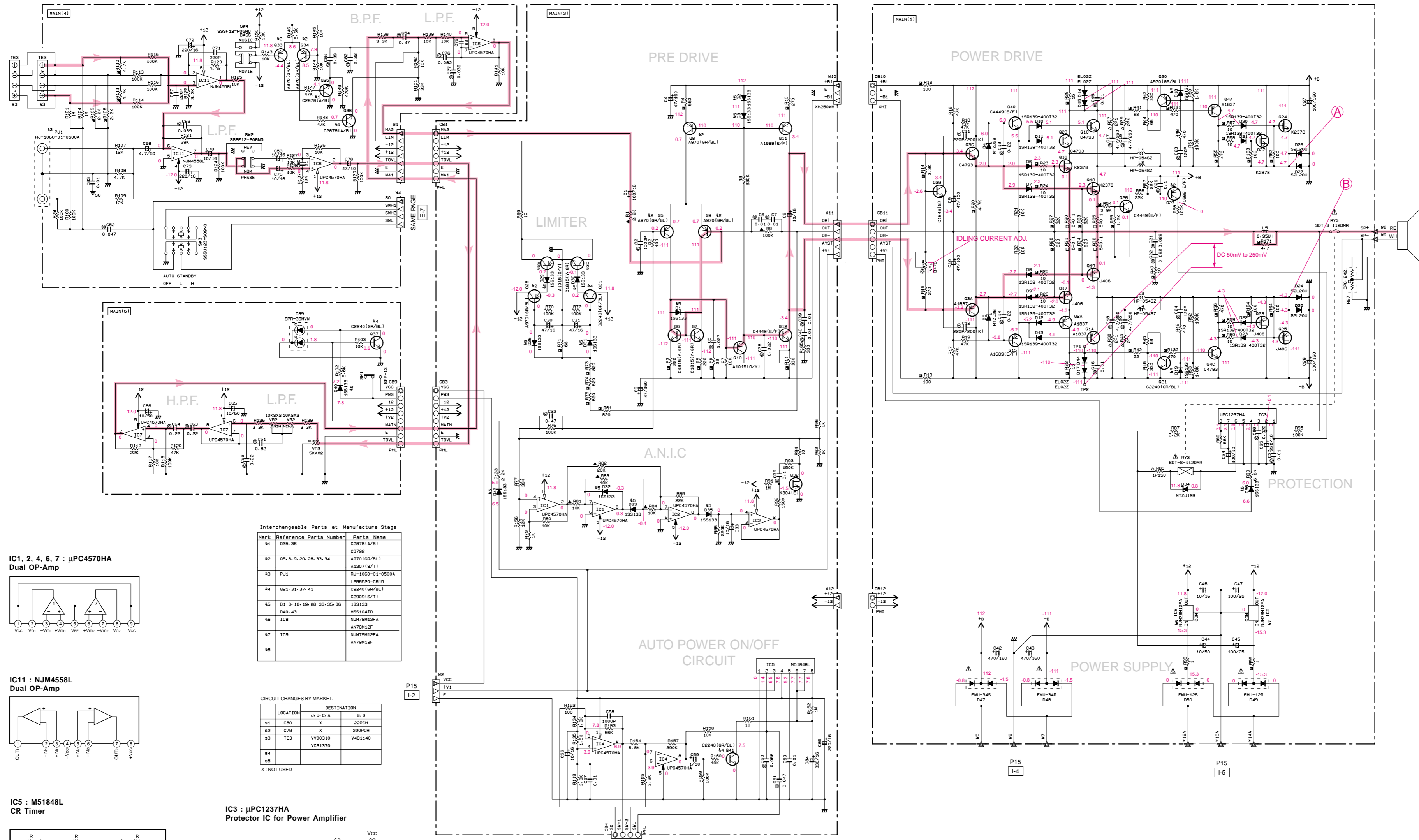
BLOCK DIAGRAM

See page 14

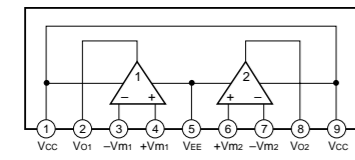


See page 15

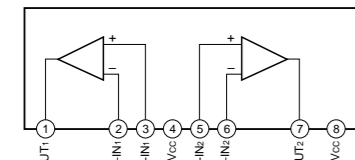
SCHEMATIC DIAGRAM



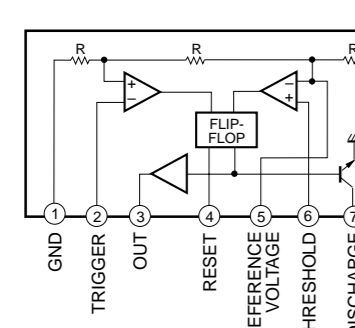
IC1, 2, 4, 6, 7 : μ PC4570HA Dual OP-Amp



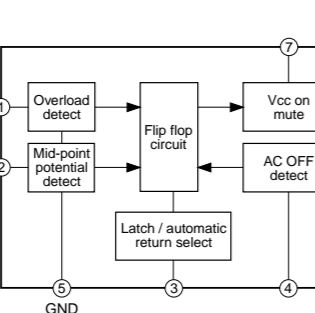
IC11 : NJM4558L Dual OP-Amp



IC5 : M51848L CR Timer



IC3 : μ PC1237HA Protector IC for Power Amplifier



Interchangeable Parts at Manufacture-Stage

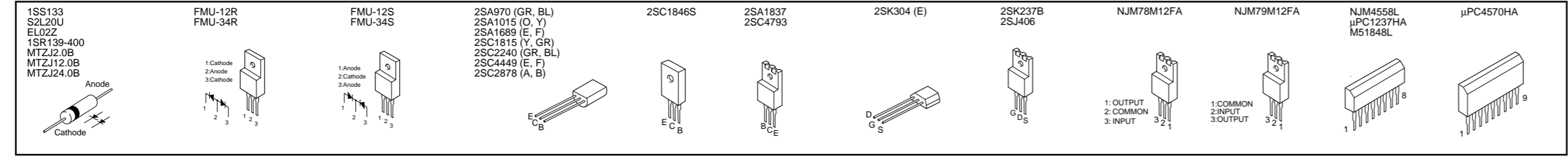
Mark	Reference Parts Number	Parts Name
a1	G35-36	C2878(A/B)
		C3792
a2	95-B-9-20-28-33-34	A9701(GR/BL)
		A1207(E/T)
a3	PJ1	RJ-1060-01-0500A
		LP8620-CB15
a4	G21-31-37-41	C2240(GR/BL)
		C2905(E/T)
a5	D1-3-16-19-28-33-35-36	IS8133
		H5S104TD
a6	IC8	NJM78M12FA
		AN78M12P
a7	IC9	NJM78M12FA
		AN78M12P
a8		

CIRCUIT CHANGES BY MARKET

LOCATION	J-U-C-A	B-G
s1	C80	X
		22PCH
s2	C79	X
		220PCH
s3	TE3	VV0310
		V48140
s4		VC31379
s5		

X: NOT USED

PIN CONNECTION DIAGRAM OF TRANSISTORS, DIODES AND ICs.



RESISTOR

REMARKS	PARTS NAME
NO MARK	CARBON FILM RESISTOR (P=5)
\square	CARBON FILM RESISTOR (P=10)
Δ	METAL OXIDE FILM RESISTOR
\square	METAL FILM RESISTOR
\square	METAL PLATE RESISTOR
\square	FIRE PROOF CARBON FILM RESISTOR
\square	CEMENT MOLDED RESISTOR
\square	SEMI-VARIABLE RESISTOR
\square	CHIP RESISTOR

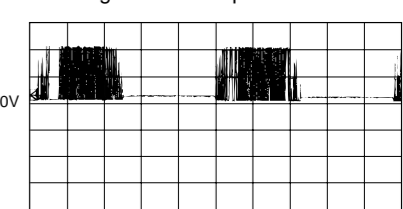
CAPACITOR

REMARKS	PARTS NAME
NO MARK	ELECTROLYTIC CAPACITOR
\square	TANTALUM CAPACITOR
NO MARK	CERAMIC CAPACITOR
\square	CERAMIC TUBULAR CAPACITOR
\square	POLYESTER FILM CAPACITOR
\square	POLYSTYRENE FILM CAPACITOR
\square	MICA CAPACITOR
\square	POLYPROPYLENE FILM CAPACITOR
\square	SEMICONDUCTIVE CERAMIC CAPACITOR

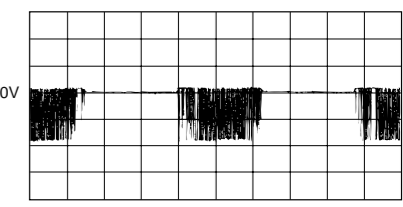
NOTICE (model)

(J)..... JAPANESE
 (U)..... U.S.A.
 (C)..... CANADIAN
 (R)..... GENERAL
 (A)..... AUSTRALIAN
 (B)..... BRITISH
 (G)..... EUROPEAN
 (T)..... CHINA
 (L)..... SINGAPORE

Point A (Cathode of D27)
 V : 50V/div H : 2 msec/div
 DC range 1 : 1 probe

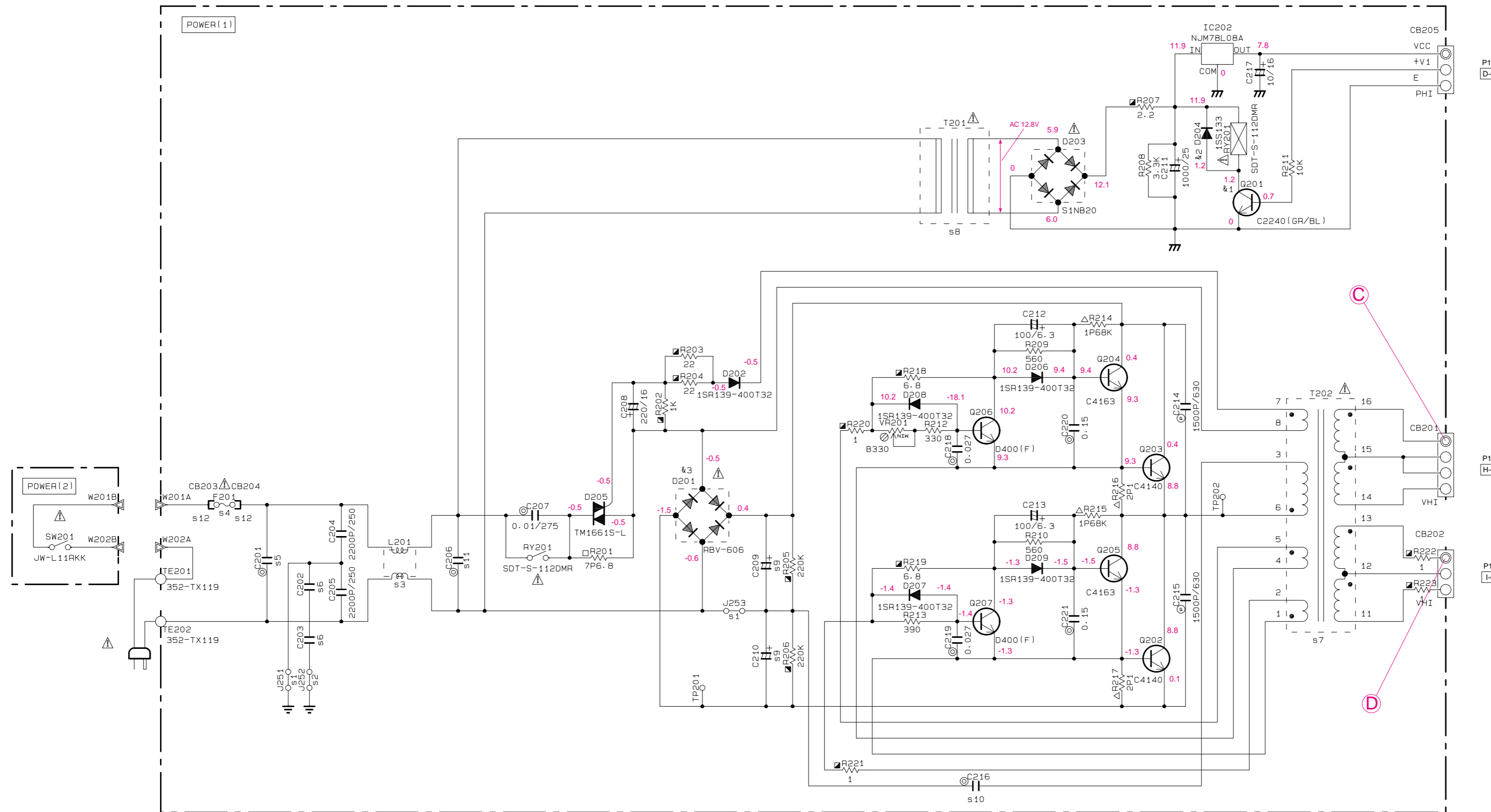


Point B (Anode of D24)
 V : 50V/div H : 2 msec/div
 DC range 1 : 1 probe



* All voltage are measured with a 10M Ω /V DC electric volt meter.
 * Components having special characteristics are marked Δ and must be replaced with parts having specifications equal to those originally installed.
 * Schematic diagram is subject to change without notice.

SCHEMATIC DIAGRAM



CIRCUIT CHANGES BY MARKET.

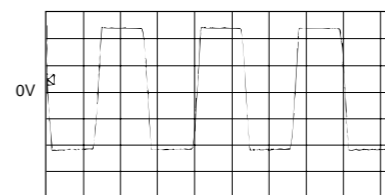
LOCATION	DESTINATION			
	J	U. C	A	B. G
s1	J251.253	0	0	X
s2	J252	X	X	0
s3	L201	VP23430	VP23430	VN39810
s4	F201	12A250V	12A250V	T6.3AL250V
s5	C201	0.47/250	0.47/250	1/250
s6	C202-203	X	X	4700P/250
s7	T202	XY912	XY913	XY914
s8	T201	XV442	XV443	XV445
s9	C209-210	2200/180	1800/200	1200/250
s10	C216	3.3/250	2.2/250	2.2/250
s11	C206	0.22/250	0.22/250	0.47/250
s12	CB203-204	V657740	V657740	VT65820
s13				
s14				

X : NOT USED
O : USED

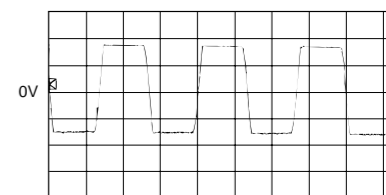
Interchangeable Parts at Manufacture-Stage

Mark	Reference Parts Number	Parts Name
&1	Q201	C2240 (GR/BL) C2909 (S/T)
&2	D204	1SS133 HSS104TD
&3	D201	RBV-606 D5SBA60

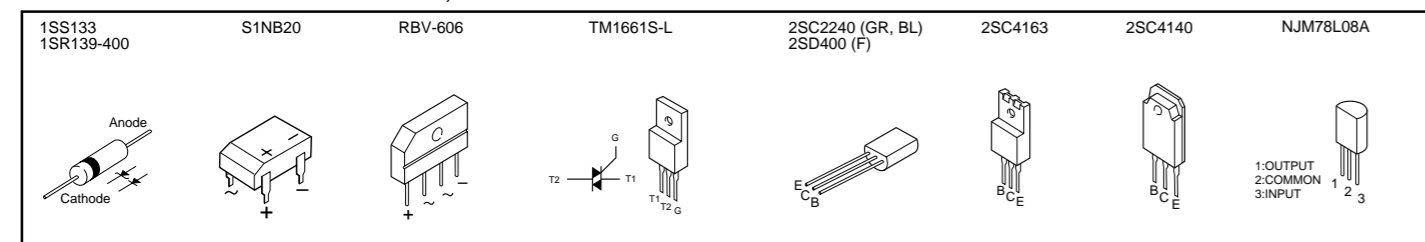
Point C (Pin 1 of CB201)
V : 50V/div H : 10 μsec/div
DC range 1 : 1 probe



Point D (Pin 1 of CB202)
V : 10V/div H : 10 μsec/div
DC range 1 : 1 probe



PIN CONNECTION DIAGRAM OF TRANSISTORS, DIODES AND ICs.



* All voltage are measured with a 10MΩ/V DC electric volt meter.
* Components having special characteristics are marked Δ and must be replaced with parts having specifications equal to those originally installed.
* Schematic diagram is subject to change without notice.

PARTS LIST

■ ELECTRICAL PARTS

■ WARNING

Components having special characteristics are marked \triangle and must be replaced with parts having specifications equal to those originally installed.

- Carbon resistors (1/6W or 1/4W) are not included in the ELECTRICAL PARTS List. For the part Nos. of the carbon resistors refer to the last page.

ABBREVIATIONS IN THIS LIST ARE AS FOLLOWS :

C.A.EL.CHP	: CHIP ALUMI. ELECTROLYTIC CAP	L.EMIT	: LIGHT EMITTING MODULE
C.CE	: CERAMIC CAP	LED.DSPLY	: LED DISPLAY
C.CE.ARRAY	: CERAMIC CAP ARRAY	LED.INFRD	: LED, INFRARED
C.CE.CHP	: CHIP CERAMIC CAP	MODUL.RF	: MODULATOR, RF
C.CE.ML	: MULTILAYER CERAMIC CAP	PHOT.CPL	: PHOTO COUPLER
C.CE.M.CHP	: CHIP MULTILAYER CERAMIC CAP	PHOT.INTR	: PHOTO INTERRUPTER
C.CE.SAFTY	: RECOGNIZED CERAMIC CAP	PHOT.RFLCT	: PHOTO REFLECTOR
C.CE.TUBLR	: CERAMIC TUBULAR CAP	PIN.TEST	: PIN, TEST POINT
C.CE.SMI	: SEMI CONDUCTIVE CERAMIC CAP	PLST.RIVET	: PLASTIC RIVET
C.EL	: ELECTROLYTIC CAP	R.ARRAY	: RESISTOR ARRAY
C.MICA	: MICA CAP	R.CAR	: CARBON RESISTOR
C.ML.FLM	: MULTILAYER FILM CAP	R.CAR.CHP	: CHIP RESISTOR
C.MP	: METALLIZED PAPER CAP	R.CAR.FP	: FLAME PROOF CARBON RESISTOR
C.MYLAR	: MYLAR FILM CAP	R.FUS	: FUSABLE RESISTOR
C.MYLAR.ML	: MULTILAYER MYLAR FILM CAP	R.MTL.CHP	: CHIP METAL FILM RESISTOR
C.PAPER	: PAPER CAPACITOR	R.MTL.FLM	: METAL FILM RESISTOR
C.PLS	: POLYSTYRENE FILM CAP	R.MTL.OXD	: METAL OXIDE FILM RESISTOR
C.POL	: POLYESTER FILM CAP	R.MTL.PLAT	: METAL PLATE RESISTOR
C.POLY	: POLYETHYLENE FILM CAP	RSNR.CE	: CERAMIC RESONATOR
C.PP	: POLYPROPYLENE FILM CAP	RSNR.CRYS	: CRYSTAL RESONATOR
C.TNTL	: TANTALUM CAP	R.TW.CEM	: TWIN CEMENT FIXED RESISTOR
C.TNTL.CHP	: CHIP TANTALUM CAP	R.WW	: WIRE WOUND RESISTOR
C.TRIM	: TRIMMER CAP	SCR.BND.HD	: BIND HEAD B-TITE SCREW
CN	: CONNECTOR	SCR.BW.HD	: BW HEAD TAPPING SCREW
CN.BS.PIN	: CONNECTOR, BASE PIN	SCR.CUP	: CUP TITE SCREW
CN.CANNON	: CONNECTOR, CANNON	SCR.TERM	: SCREW TERMINAL
CN.DIN	: CONNECTOR, DIN	SCR.TR	: SCREW, TRANSISTOR
CN.FLAT	: CONNECTOR, FLAT CABLE	SUPRT.PCB	: SUPPORT, P.C.B.
CN.POST	: CONNECTOR, BASE POST	SURG.PRTCT	: SURGE PROTECTOR
COIL.MX.AM	: COIL, AM MIX	SW.TACT	: TACT SWITCH
COIL.AT.FM	: COIL, FM ANTENNA	SW.LEAF	: LEAF SWITCH
COIL.DT.FM	: COIL, FM DETECT	SW.LEVER	: LEVER SWITCH
COIL.MX.FM	: COIL, FM MIX	SW.MICRO	: MICRO SWITCH
COIL.OUTPT	: OUTPUT COIL	SW.PUSH	: PUSH SWITCH
DIOD.ARRAY	: DIODE ARRAY	SW.RT.ENC	: ROTARY ENCODER
DIODE.BRG	: DIODE BRIDGE	SW.RT.MTR	: ROTARY SWITCH WITH MOTOR
DIODE.CHP	: CHIP DIODE	SW.RT	: ROTARY SWITCH
DIODE.VAR	: VARACTOR DIODE	SW.SLIDE	: SLIDE SWITCH
DIOD.Z.CHP	: CHIP ZENER DIODE	TERM.SP	: SPEAKER TERMINAL
DIODE.ZENR	: ZENER DIODE	TERM.WRAP	: WRAPPING TERMINAL
DSCR.CE	: CERAMIC DISCRIMINATOR	THRMST.CHP	: CHIP THERMISTOR
FER.BEAD	: FERRITE BEADS	TR.CHP	: CHIP TRANSISTOR
FER.CORE	: FERRITE CORE	TR.DGT	: DIGITAL TRANSISTOR
FET.CHP	: CHIP FET	TR.DGT.CHP	: CHIP DIGITAL TRANSISTOR
FL.DSPLY	: FLUORESCENT DISPLAY	TRANS	: TRANSFORMER
FLTR.CE	: CERAMIC FILTER	TRANS.PULS	: PULSE TRANSFORMER
FLTR.COMB	: COMB FILTER MODULE	TRANS.PWR	: POWER TRANSFORMER ASS'y
FLTR.LC.RF	: LC FILTER ,EMI	TUNER.AM	: TUNER PACK, AM
GND.MTL	: GROUND PLATE	TUNER.FM	: TUNER PACK, FM
GND.TERM	: GROUND TERMINAL	TUNER.PK	: FRONT-END TUNER PACK
HOLDER.FUS	: FUSE HOLDER	VR	: ROTARY POTENTIOMETER
IC.PRTCT	: IC PROTECTOR	VR.MTR	: POTENTIOMETER WITH MOTOR
JUMPER.CN	: JUMPER CONNECTOR	VR.SW	: POTENTIOMETER WITH ROTARY SW
JUMPER.TST	: JUMPER, TEST POINT	VR.SLIDE	: SLIDE POTENTIOMETER
L.DTCT	: LIGHT DETECTING MODULE	VR.TRIM	: TRIMMER POTENTIOMETER

Note) Those parts marked with “#” are not included in the P.C.B. ass'y.

P.C.B. MAIN

Schm Ref.	PART NO.	Description	
*	V5890800	P. C. B.	MAIN(UCA)
*	V5890900	P. C. B.	MAIN(BG)
CB1	VB858600	CN. BS. PIN	7P
CB3	VB858700	CN. BS. PIN	8P
CB4	VB858300	CN. BS. PIN	4P
CB9	VB858700	CN. BS. PIN	8P
CB10	VL844700	CN. BS. PIN	3P
CB11	VB390100	CN. BS. PIN	5P
CB12	VB389800	CN. BS. PIN	2P
* C1	VT721000	C. EL	100uF 16V
C2	UA653100	C. MYLAR	1000pF 50V
C3	V5877800	C. EL	47uF 160V
C4	V5877800	C. EL	47uF 160V
C5	UA654270	C. MYLAR	0.027uF 50V
C6	UA654100	C. MYLAR	0.01uF 50V
C7	UA654100	C. MYLAR	0.01uF 50V
C8	VT720600	C. EL	10uF 16V
C9	VT727900	C. EL	47uF 100V
C10	VT727900	C. EL	47uF 100V
C11	VK534000	C. PP	220pF 200V
C12	VK534000	C. PP	220pF 200V
C13	UA655220	C. MYLAR	0.22uF 50V
C14	UA655220	C. MYLAR	0.22uF 50V
C15	UA654100	C. MYLAR	0.01uF 50V
C16	UA654100	C. MYLAR	0.01uF 50V
C17	V5058000	C. MYLAR	4.7uF 250V
C18	V5058000	C. MYLAR	4.7uF 250V
C19	V5058000	C. MYLAR	4.7uF 250V
C20	V5058000	C. MYLAR	4.7uF 250V
C21	UA654220	C. MYLAR	0.022uF 50V
C22	UA654220	C. MYLAR	0.022uF 50V
C23	UA652120	C. MYLAR	120pF 50V
C24	UA652120	C. MYLAR	120pF 50V
C27	V5877900	C. EL	100uF 160V
C28	V5877900	C. EL	100uF 160V
C29	UA655100	C. MYLAR	0.1uF 50V
* C30	VT720900	C. EL	47uF 16V
* C31	VT720900	C. EL	47uF 16V
C32	UA655470	C. MYLAR	0.47uF 50V
* C33	VT720600	C. EL	10uF 16V
* C34	VT719700	C. EL	100uF 10V
* C35	VT719800	C. EL	220uF 10V
C36	UA655100	C. MYLAR	0.1uF 50V
C37	UA654100	C. MYLAR	0.01uF 50V
C38	UA654220	C. MYLAR	0.022uF 50V
C39	UA654100	C. MYLAR	0.01uF 50V
C40	UA654100	C. MYLAR	0.01uF 50V
C42	V5872500	C. EL	470uF 160V
C43	V5872500	C. EL	470uF 160V
C44	VT724900	C. EL	10uF 50V
C45	VT722300	C. EL	100uF 25V
* C46	VT720600	C. EL	10uF 16V
* C47	VT722300	C. EL	100uF 25V

* New Parts

Schm Ref.	PART NO.	Description		
C50	FG644100	C. CE	0.01uF	50V
C51	UA654470	C. MYLAR	0.047uF	50V
C52	UA654470	C. MYLAR	0.047uF	50V
* C53	VT720600	C. EL	10uF	16V
C54	UA655470	C. MYLAR	0.47uF	50V
* C56	VT720600	C. EL	10uF	16V
C57	FG644100	C. CE	0.01uF	50V
C58	FG613100	C. CE	1000pF	50V
* C59	VT724500	C. EL	1uF	50V
C60	UA654680	C. MYLAR	0.068uF	50V
C61	UA655820	C. MYLAR	0.82uF	50V
C62	UA655220	C. MYLAR	0.22uF	50V
C63	UA655220	C. MYLAR	0.22uF	50V
C64	UA655220	C. MYLAR	0.22uF	50V
* C65	VT724900	C. EL	10uF	50V
C66	VT724900	C. EL	10uF	50V
C67	FG612220	C. CE	220pF	50V
* C68	VT724800	C. EL	4.7uF	50V
C69	UA654390	C. MYLAR	0.039uF	50V
* C70	VT720600	C. EL	10uF	16V
C71	FG612220	C. CE	220pF	50V
* C72	VT721100	C. EL	220uF	25V
* C73	VT721100	C. EL	220uF	25V
* C75	VT720600	C. EL	10uF	16V
C76	UA654820	C. MYLAR	0.082uF	50V
C77	UA654390	C. MYLAR	0.039uF	50V
* C78	VT719600	C. EL	47uF	10V
C79	VA777700	C. CE	220pF	50V(BG)
C80	VA761000	C. CE	22pF	50V(BG)
C81	UA655390	C. MYLAR	0.39uF	50V
C82	UA655220	C. MYLAR	0.22uF	50V
C83	FG644100	C. CE	0.01uF	50V
* C84	VT721200	C. EL	330uF	16V
* C85	VT721100	C. EL	220uF	25V
C86	UA654220	C. MYLAR	0.022uF	50V
D1	iF004600	D IODE	1SS133	
D2	iF004600	D IODE	1SS133	
D3	iF004600	D IODE	1SS133	
D4	VG435100	D IODE .ZENR	MTZJ2.0B	2.0V
D5	VG435100	D IODE .ZENR	MTZJ2.0B	2.0V
D6	VU264100	D IODE	1SR139-400	
D7	VU264100	D IODE	1SR139-400	
D8	VU264100	D IODE	1SR139-400	
D9	VU264100	D IODE	1SR139-400	
D10	VU264100	D IODE	1SR139-400	
D11	VU264100	D IODE	1SR139-400	
D12	VU264100	D IODE	1SR139-400	
D13	VU264100	D IODE	1SR139-400	
* D14	V6591600	D IODE	EL02Z	
* D15	V6591600	D IODE	EL02Z	
* D17	V6591600	D IODE	EL02Z	
D18	iF004600	D IODE	1SS133	
D19	iF004600	D IODE	1SS133	

* New Parts

P.C.B. MAIN

Schm Ref.	PART NO.	Description
D20	VU264100	DIODE 1SR139-400
D21	VU264100	DIODE 1SR139-400
D22	VU264100	DIODE 1SR139-400
D23	VU264100	DIODE 1SR139-400
D24	VP779200	DIODE S2L20U
D25	VP779200	DIODE S2L20U
D26	VP779200	DIODE S2L20U
D27	VP779200	DIODE S2L20U
D28	iF004600	DIODE 1SS133
D29	iF004600	DIODE 1SS133
D30	iF004600	DIODE 1SS133
D31	iF004600	DIODE 1SS133
D32	iF004600	DIODE 1SS133
D33	iF004600	DIODE 1SS133
D34	VG440200	DIODE .ZENR MTZJ12B 12V
D35	iF004600	DIODE 1SS133
D36	iF004600	DIODE 1SS133
* D39	VS079300	LED SPR-39MWW
D40	iF004600	DIODE 1SS133
D43	iF004600	DIODE 1SS133
* D44	V6591600	DIODE EL02Z
△ D47	V5877300	DIODE FMU-34S
△ D48	V5877400	DIODE FMU-34R
△ * D49	VN399400	DIODE FMU-12R 5A 200V
△ * D50	VN399300	DIODE FMU-12S 5A 200V
IC1	XB247A00	IC uPC4570HA
IC2	XB247A00	IC uPC4570HA
IC3	XF663A00	IC uPC1237HA
IC4	XB247A00	IC uPC4570HA
IC5	XP741A00	IC M51848L
IC6	XB247A00	IC uPC4570HA
IC7	XB247A00	IC uPC4570HA
IC8	XJ602A00	IC NJM78M12FA
IC9	XD343A00	IC NJM79M12FA
IC11	XM922A00	IC NJM4558L
L1	V5058100	COIL 120uH
L2	V5058100	COIL 120uH
L3	V5058100	COIL 120uH
L4	V5058100	COIL 120uH
L5	VU038200	COIL 0.95uH
PJ1	V6415800	JACK.PIN 2P RJ-1060-01-0500
Q1	VQ116600	TR.PAIR 2SA1837/C4793 0,Y
Q2	VQ116600	TR.PAIR 2SA1837/C4793 0,Y
Q3	VQ116600	TR.PAIR 2SA1837/C4793 0,Y
Q4	VQ116600	TR.PAIR 2SA1837/C4793 0,Y
Q5	iA097030	TR 2SA970 GR,BL
Q6	iC1815M0	TR 2SC1815 Y,GR
Q7	iC1815M0	TR 2SC1815 Y,GR
Q8	iA097030	TR 2SA970 GR,BL
Q9	iA097030	TR 2SA970 GR,BL
Q10	iA101590	TR 2SA1015 0,Y
Q11	V5876800	TR 2SA1689 E,F
Q12	V5876900	TR 2SC4449 E,F

* New Parts

Schm Ref.	PART NO.	Description
Q15	V5876800	TR 2SA1689 E,F
# Q16	V5877200	FET 2SK2378
# Q17	V5877000	FET 2SJ406
# Q18	V5877200	FET 2SK2378
# Q19	V5877000	FET 2SJ406
Q20	iA097030	TR 2SA970 GR,BL
Q21	iC224030	TR 2SC2240 GR,BL
# Q22	V5877200	FET 2SK2378
# Q23	V5877000	FET 2SJ406
# Q24	V5877200	FET 2SK2378
# Q25	V5877000	FET 2SJ406
Q26	V5876900	TR 2SC4449 E,F
Q27	V5876800	TR 2SA1689 E,F
Q28	iA097030	TR 2SA970 GR,BL
Q29	iA101590	TR 2SA1015 0,Y
Q30	iC1815M0	TR 2SC1815 Y,GR
Q31	iC224030	TR 2SC2240 GR,BL
Q32	V3028000	FET 2SK304 E
Q33	iA097030	TR 2SA970 GR,BL
Q34	iA097030	TR 2SA970 GR,BL
Q35	iC287820	TR 2SC2878 A,B
Q36	iC287820	TR 2SC2878 A,B
Q37	iC224030	TR 2SC2240 GR,BL
# Q39	VC398100	TR 2SC1846 S
Q40	V5876900	TR 2SC4449 E,F
Q41	iC224030	TR 2SC2240 GR,BL
R1	VF459100	R. MTL. FLM 2.2K 1/4W
R3	HV755220	R. CAR. FP 220 1/4W
R4	HV755560	R. CAR. FP 560 1/4W
R5	HV755220	R. CAR. FP 220 1/4W
R6	HV754330	R. CAR. FP 33 1/4W
R9	VH009600	R. MTL. FLM 100K 1/4W
R10	HV755270	R. CAR. FP 270 1/4W
R11	HV755330	R. CAR. FP 330 1/4W
R12	HV755100	R. CAR. FP 100 1/4W
R13	HV755100	R. CAR. FP 100 1/4W
R14	HV756330	R. CAR. FP 3.3K 1/4W
R15	HV755270	R. CAR. FP 270 1/4W
R20	HV756470	R. CAR. FP 4.7K 1/4W
R23	HV754100	R. CAR. FP 10 1/4W
R24	HV754100	R. CAR. FP 10 1/4W
R25	HV754100	R. CAR. FP 10 1/4W
R26	HV754100	R. CAR. FP 10 1/4W
R27	HV755820	R. CAR. FP 820 1/4W
R28	HV755820	R. CAR. FP 820 1/4W
R29	HV754150	R. CAR. FP 15 1/4W
R30	V5875400	R. WW 0.1 5W
R31	V5875400	R. WW 0.1 5W
R32	HV754150	R. CAR. FP 15 1/4W
R33	HV755820	R. CAR. FP 820 1/4W
R34	HV755820	R. CAR. FP 820 1/4W
R35	V5875400	R. WW 0.1 5W
R36	V5875400	R. WW 0.1 5W

* New Parts

Note) Those parts marked with “#” are not included in the P.C.B. ass'y.

P.C.B. MAIN & POWER

Schm Ref.	PART NO.	Description		
R37	HL223100	R.MTL.OXD	1	2W
R38	HL223100	R.MTL.OXD	1	2W
R39	HL223100	R.MTL.OXD	1	2W
R40	HL223100	R.MTL.OXD	1	2W
R41	HV754220	R.CAR.FP	22	1/4W
R42	HV754220	R.CAR.FP	22	1/4W
R47	HV754100	R.CAR.FP	10	1/4W
R54	HV756390	R.CAR.FP	3.9K	1/4W
R55	HV755470	R.CAR.FP	470	1/4W
R56	HV755470	R.CAR.FP	470	1/4W
R57	HV754100	R.CAR.FP	10	1/4W
R58	HV754100	R.CAR.FP	10	1/4W
R59	HV754100	R.CAR.FP	10	1/4W
R60	HV754100	R.CAR.FP	10	1/4W
R61	HV755820	R.CAR.FP	820	1/4W
R63	HV755100	R.CAR.FP	100	1/4W
R64	HV755100	R.CAR.FP	100	1/4W
R65	HV756120	R.CAR.FP	1.2K	1/4W
R71	HV754680	R.CAR.FP	68	1/4W
R73	HV755820	R.CAR.FP	820	1/4W
R74	HV755820	R.CAR.FP	820	1/4W
R75	HV755820	R.CAR.FP	820	1/4W
R81	VH007200	R.MTL.FLM	10K	1/4W
R82	VH007900	R.MTL.FLM	20K	1/4W
R83	VH007200	R.MTL.FLM	10K	1/4W
R84	VH007200	R.MTL.FLM	10K	1/4W
* R85	HL215150	R.MTL.OXD	150	1W
R97	V6146800	R.WW	0.22	+0.22
R98	HV753100	R.CAR.FP	1	1/4W
R99	HV753100	R.CAR.FP	1	1/4W
R105	HV756220	R.CAR.FP	2.2K	1/4W
R106	HV756220	R.CAR.FP	2.2K	1/4W
R110	HV756470	R.CAR.FP	4.7K	1/4W
R111	HV756470	R.CAR.FP	4.7K	1/4W
R131	HV755470	R.CAR.FP	470	1/4W
R132	HV755470	R.CAR.FP	470	1/4W
R163	HV755100	R.CAR.FP	100	1/4W
R164	HV755100	R.CAR.FP	100	1/4W
R171	HV753470	R.CAR.FP	4.7	1/4W
△ RY3	V5876700	RELAY	DC SDT-S-112DMR	
ST1	BB071360	SCR.TERM	8.3x13	
SW1	VS066500	SW.PUSH	SPPH13-W	
SW2	V5178000	SW.SLIDE	SSSF12-P06N0	
SW3	V5178100	SW.SLIDE	SSSU123-S09N0	
SW4	V5178000	SW.SLIDE	SSSF12-P06N0	
TE3	V4811400	TERM.SP	8P(BG)	
TE3	VV003100	TERM.SP	8P(UCA)	
TP1	VT969000	PIN.TEST	IRS-2049	
TP2	VT969000	PIN.TEST	IRS-2049	
VR1	VJ692800	VR.TRIM	B470	
VR2	VV954800	VR	10K	
VR3	VV954700	VR	A5K	
	BB070700	GND.MTL		

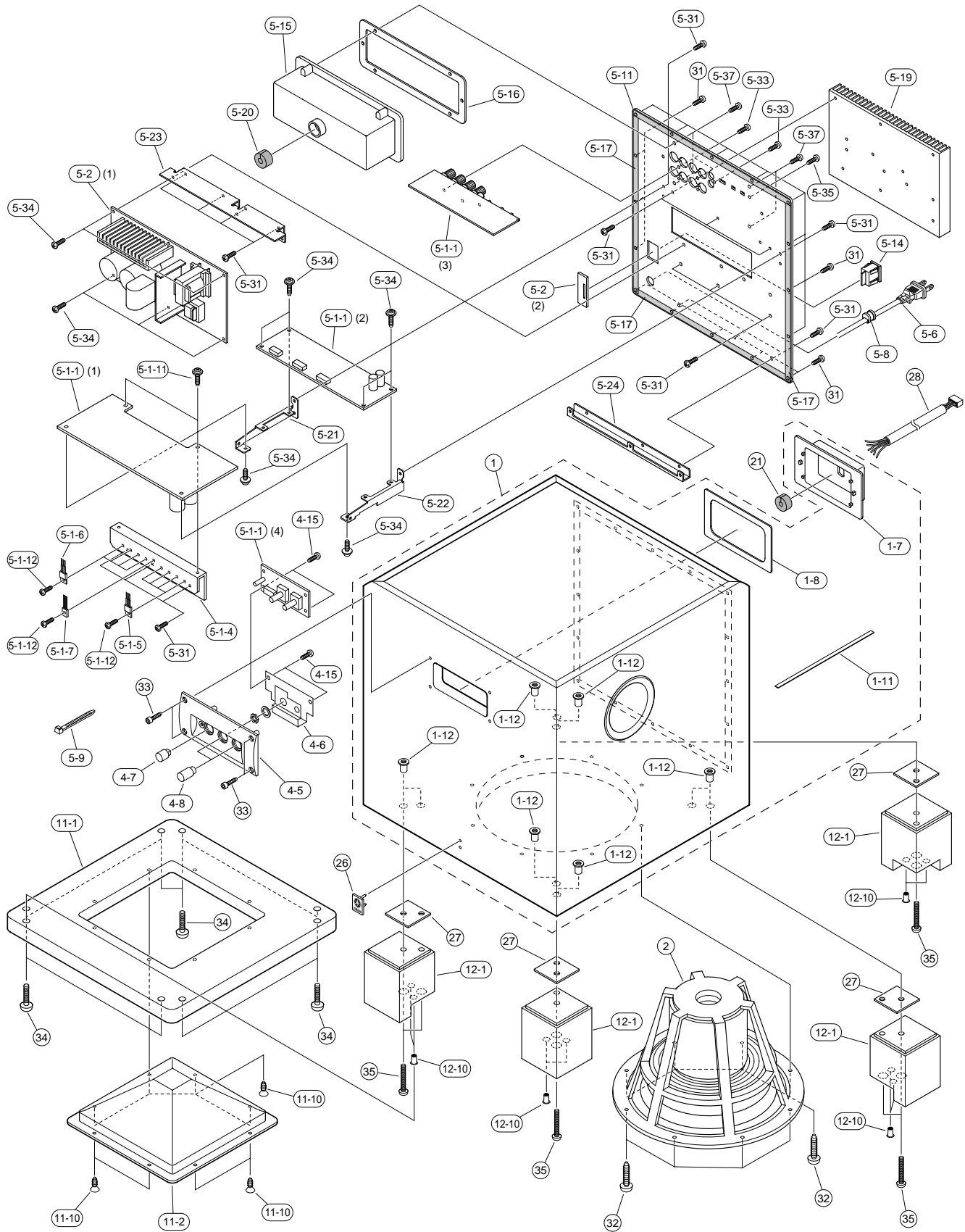
* New Parts

Schm Ref.	PART NO.	Description		
	VN774800	GND.WSHR	MEP1866	#11102
*	V6667500	HEAT.SINK	OSH-1035-WPL	
	EG330050	SCR.BND.HD	3x8	FCRM3-BL
* * *	V5890500	P.C.B.	POWER(UC)	
* * *	V5890600	P.C.B.	POWER(A)	
* * *	V5890700	P.C.B.	POWER(BG)	
CB201	LB932040	CN.BS.PIN	4P	
CB202	LB932030	CN.BS.PIN	3P	
* CB203	V6577400	HOLDER.FUS	FUC-04(UC)	
CB203	VT658200	HOLDER.FUS	PC-FH1(ABG)	
* CB204	V6577400	HOLDER.FUS	FUC-04(UC)	
CB204	VT658200	HOLDER.FUS	PC-FH1(ABG)	
CB205	VB389900	CN.BS.PIN	3P	
C201	V5877600	C.MYLAR	0.47uF	250V(UC)
C201	V5900200	C.MYLAR	1uF	250V(ABG)
* C202	VY675100	C.CE.SAFTY	4700pF	250V(ABG)
* C203	VY675100	C.CE.SAFTY	4700pF	250V(ABG)
C204	V6146600	C.CE.SAFTY	2200pF	250V
C205	V6146600	C.CE.SAFTY	2200pF	250V
C206	V5877600	C.MYLAR	0.47uF	250V(ABG)
C206	V5877700	C.MYLAR	0.22uF	250V(UC)
C207	VS741700	C.CE.SAFTY	0.01uF	275V
* C208	VT721100	C.EL	220uF	25V
* C209	V5873400	C.EL	1800uF	200V(UC)
* C209	V5873800	C.EL	1200uF	250V(ABG)
* C210	V5873400	C.EL	1800uF	200V(UC)
* C210	V5873800	C.EL	1200uF	250V(ABG)
* C211	VT722700	C.EL	1000uF	25V
C212	VT718300	C.EL	100uF	6.3V
C213	VT718300	C.EL	100uF	6.3V
C214	V5878200	C.PP	1500pF	630V
C215	V5878200	C.PP	1500pF	630V
* C216	V5900300	C.MYLAR	2.2uF	250V
* C217	VT720600	C.EL	10uF	16V
C218	UA654270	C.MYLAR	0.027uF	50V
C219	UA654270	C.MYLAR	0.027uF	50V
C220	UA655150	C.MYLAR	0.15uF	50V
C221	UA655150	C.MYLAR	0.15uF	50V
△ D201	VN932100	DIODE	RBV-606	
D202	VU264100	DIODE	1SR139-400	
△ D203	VR253700	DIODE.BRG	S1NB20	1.0A 200V
D204	iF004600	DIODE	1SS133	
* D205	VN774600	THYRISTOR	TM1661S-L	16.00A
D206	VU264100	DIODE	1SR139-400	
D207	VU264100	DIODE	1SR139-400	
D208	VU264100	DIODE	1SR139-400	
D209	VU264100	DIODE	1SR139-400	
△ F201	KB001540	FUSE	12A	250V(UC)
△ F201	KB001890	FUSE	T6.3A	250V(ABG)
IC202	iG160100	IC	NJM78L08A	8V

* New Parts

YST-SW800

1 ■ EXPLODED VIEW



MECHANICAL PARTS

Ref. No.	PART NO.	Description	Remarks	Markets
* 1	V5890000	CABINET ASS'Y		
* 1	V5890100	CABINET ASS'Y		
* 1-7	V5859600	FRONT COVER		
* 1-8	V5859700	GASKET		
1-11	CB070450	BINDING TIE	L=100	
1-12	V5195800	FLANGE NUT	B M6X15.5 MFZN2	
* 2	XY919A00	LOUD SPEAKER	25cm 6	
* 4-5	V5881900	FRONT PANEL		
4-6	V5860800	SHIELD SHEET		
* 4-7	V5860900	SWITCH KNOB		
* 4-8	V5861200	VOLUME KNOB		
4-15	EP600280	BIND HEAD P-TITE SCREW	3x8 ZMC2-Y	
* 5-1-1	V5890800	P.C.B. ASS'Y	MAIN	(UCA)
* 5-1-1	V5890900	P.C.B. ASS'Y	MAIN	(BG)
* 5-1-4	V5901700	HEAT SINK		
# * 5-1-5	V5877200	FET	2SK2378	Q16, Q18, Q22, Q24
# * 5-1-6	V5877000	FET	2SJ406	Q17, Q19, Q23, Q25
# 5-1-7	VC398100	TRANSISTOR	2SC1846 S	Q39
5-1-11	VT669300	PW HEAD B-TITE SCREW	3x8-8 MFC2	
5-1-12	VK697600	BIND HEAD B-TITE SCREW	3x10 SP ZMC2-Y	
* 5-2	V5890500	P.C.B. ASS'Y	POWER	(UC)
* 5-2	V5890600	P.C.B. ASS'Y	POWER	(A)
* 5-2	V5890700	P.C.B. ASS'Y	POWER	(BG)
△ 5-6	V3756200	POWER CORD	10A SPT-2 2.1m	(UC)
△ 5-6	VE371200	POWER CORD	2.5A 250V 2m	(G)
△ 5-6	VQ790000	POWER CORD	5A 2m	(B)
△ 5-6	VT666200	POWER CORD ASS'Y		(A)
5-8	VT665900	CORD STOPPER	SR-4K-4	
5-9	CB069250	BINDING TIE	BK-1	
* 5-11	V5899200	REAR PANEL		(UC)
* 5-11	V5899300	REAR PANEL		(A)
* 5-11	V5899400	REAR PANEL		(BG)
△ 5-14	V2217000	SWITCH, SEESAW	JW	
5-15	V5195200	COVER		
* 5-16	V5860000	GASKET		
* 5-17	V5901500	GASKET		
* 5-19	V5901600	HEAT SINK	20BS220-L145-K	
5-20	VS755300	BUSH, B		
* 5-21	V5901800	SUPPORT/PCB-L		
* 5-22	V5901900	SUPPORT/PCB-R		
* 5-23	V5906600	SUPPORT ASS'Y, L		
* 5-24	V5906700	SUPPORT B		
* 5-31	Ei330086	BIND HEAD B-TITE SCREW	3x8 FCRM3-BL	
* 5-33	EX601360	BIND HEAD P-TITE SCREW	3x10 FCRM3-BL	
5-34	VT669300	PW HEAD B-TITE SCREW	3x8-8 MFC2	
* 5-35	EX601890	BIND HEAD BONDING SCREW	3x6 FCRM3-BL	
5-37	EP640170	SEMS BIND HEAD P-TITE SCREW	4x12 MFC2-BL	
* 11-1	V5899500	BASE		
* 11-2	V5836700	REFLECTOR		
* 11-10	V5858900	FLAT HEAD TAPPING SCREW #1(+)	4.0x14	
* 12-1	V5859900	LEG		
12-10	O3763040	FLANGE NUT	D 6.0X13 MFZN2Y	
21	VS755300	BUSH, B		

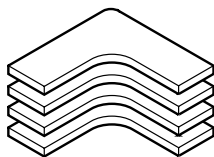
* New Parts

Note) Those parts marked with “#” are not included in the P.C.B. ass'y.

Ref. No.	PART NO.	Description	Remarks	Markets
26	V2729700	EMBLEM	A	
* 27	V5881600	SPACER		
* 28	V6512500	INSULATOR		
31	EP040370	BINDING HEAD TAPPING SCREW	4x30	MFC2-BL
* 32	V5901000	BIND HEAD TAPPING SCREW	4x35	MFC2BL
* 33	V6018100	HEXAGON SOCKET TAPPING SCREW	4x16	MFCR33
34	VB131900	BIND HEAD SCREW	6x25	MFZN2-BL
* 35	V5861300	BIND HEAD SCREW	6x50	
* 203	V6626800	ACCESSORIES PAD	1pc.	

* New Parts

(203) X 4



Parts List for Carbon Resistors

Value	1/4W Type Part No.	1/6W Type Part No.	Value	1/4W Type Part No.	1/6W Type Part No.
1.0 Ω	HJ35 3100	HF85 3100	10 kΩ	HF45 7100	HF45 7100
1.8 Ω	HJ35 3180	*	11 kΩ	HF45 7110	HF45 7110
2.2 Ω	HJ35 3220	HF85 3220	12 kΩ	HJ35 7120	HF85 7120
3.3 Ω	HJ35 3330	HF85 3330	13 kΩ	HF45 7130	HF45 7130
4.7 Ω	HJ35 3470	HF85 3470	15 kΩ	HF45 7150	HF45 7150
5.6 Ω	HJ35 3560	HF85 3560	18 kΩ	HF45 7180	HF45 7180
10 Ω	HF45 4100	HF45 4100	22 kΩ	HF45 7220	HF45 7220
15 Ω	HJ35 4150	HF85 4150	24 kΩ	HF45 7240	HF45 7240
22 Ω	HF45 4220	HF45 4220	27 kΩ	HJ35 7270	HF85 7270
27 Ω	HJ35 4270	HF85 4270	30 kΩ	HF45 7300	HF45 7300
33 Ω	HF45 4330	HF45 4330	33 kΩ	HF45 7330	HF45 7330
39 Ω	HJ35 4470	HF85 4390	36 kΩ	HF45 7360	HF45 7360
47 Ω	HF45 4470	HF45 4470	39 kΩ	HF45 7390	HF45 7390
56 Ω	HF45 4560	HF45 4560	47 kΩ	HF45 7470	HF45 7470
68 Ω	HF45 4680	HF45 4680	51 kΩ	HF45 7510	HF45 7510
75 Ω	HF45 4750	HF45 4750	56 kΩ	HF45 7560	HF45 7560
82 Ω	HF45 4820	HF45 4820	62 kΩ	HF45 7620	HF45 7620
91 Ω	HF45 4910	HF45 4910	68 kΩ	HF45 7680	HF45 7680
100 Ω	HF45 5100	HF45 5100	82 kΩ	HF45 7820	HF45 7820
110 Ω	HJ35 5110	HF85 5110	91 kΩ	HF45 7910	HF45 7910
120 Ω	HF45 5120	HF45 5120	100 kΩ	HF45 8100	HF45 8100
150 Ω	HF45 5150	HF45 5150	110 kΩ	HF45 8110	HF45 8110
160 Ω	HJ35 5160	*	120 kΩ	HF45 8120	HF45 8120
180 Ω	HF45 5180	HF45 5180	150 kΩ	HF45 8150	HF45 8150
200 Ω	HF45 5200	HF45 5200	180 kΩ	HF45 8180	HF45 8180
220 Ω	HF45 5220	HF45 5220	220 kΩ	HJ35 8220	HF85 8220
270 Ω	HF45 5270	HF45 5270	270 kΩ	HF45 8270	HF45 8270
330 Ω	HF45 5330	HF45 5330	300 kΩ	HF45 8300	HF45 8300
390 Ω	HF45 5390	HF45 5390	330 kΩ	HF45 8330	HF45 8330
430 Ω	HF45 5430	HF45 5430	390 kΩ	HJ35 8390	HF85 8390
470 Ω	HF45 5470	HF45 5470	470 kΩ	HF45 8470	HF45 8470
510 Ω	HF45 5510	HF45 5510	560 kΩ	HJ35 8560	HF85 8560
560 Ω	HF45 5560	HF45 5560	680 kΩ	HJ35 8680	HF85 8680
680 Ω	HF45 5680	HF45 5680	820 kΩ	HJ35 8820	HF85 8820
820 Ω	HF45 5820	HF45 5820	1.0 MΩ	HF45 9100	HF45 9100
910 Ω	HF45 5910	HF45 5910	1.2 MΩ	HJ35 9120	*
1.0 kΩ	HF45 6100	HF45 6100	1.5 MΩ	HJ35 9150	HF85 9150
1.2 kΩ	HF45 6120	HF45 6120	1.8 MΩ	HJ35 9180	HF85 9180
1.5 kΩ	HF45 6150	HF45 6150	2.2 MΩ	HJ35 9220	HF85 9220
1.8 kΩ	HF45 6180	HF45 6180	3.3 MΩ	HJ35 9330	HF85 9330
2.0 kΩ	HJ35 6200	HF85 6200	3.9 MΩ	HJ35 9390	*
2.2 kΩ	HF45 6220	HF45 6220	4.7 MΩ	HJ35 9470	HF85 9470
2.4 kΩ	HJ35 6240	HF85 6240			
2.7 kΩ	HF45 6270	HF45 6270			
3.0 kΩ	HF45 6300	HF45 6300			
3.3 kΩ	HF45 6330	HF45 6330			
3.6 kΩ	HJ35 6360	HF85 6360			
3.9 kΩ	HF45 6390	HF45 6390			
4.7 kΩ	HF45 6470	HF45 6470			
5.1 kΩ	HF45 6510	HF45 6510			
5.6 kΩ	HF45 6560	HF45 6560			
6.8 kΩ	HF45 6680	HF45 6680			
8.2 kΩ	HF45 6820	HF45 6820			
9.1 kΩ	HF45 6910	HF45 6910			

1/4W Type

HJ35 ○○○○

10mm

1/4W Type

HF45 ○○○○

1/6W Type

HF85 ○○○○

5mm

YST-SW800

YAMAHA
